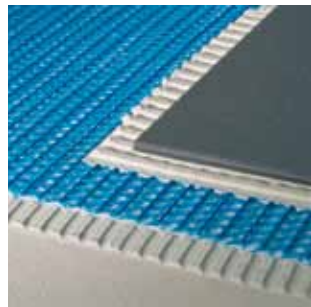




FUNCTION. DESIGN. QUALITY.



CATALOG 2016/2017

Profiles and underlayment systems
for ceramic tile and stone



**FUNCTION. DESIGN.
QUALITY. BLANKE.**



Blanke Corporation manufactures innovative underlayment with extraordinary performance up to extra heavy commercial use, waterproofing membrane, as well as metal and plastic trims for ceramic tile and stone including bullnose substitutes, floor transitions, stair nosings, and preformed expansion joints. We also offer comprehensive marketing tools that make it easy for both distributor personnel and their customers to understand use of range. Our broad product line provides attractive design and installation solutions to architects, designers and the contracting community for both residential and commercial projects.

At Blanke, our goal for over 65 years has been to create products that embody the key notions of function, design, and quality. As a global company, we place tremendous emphasis on meeting and exceeding the needs of tile professionals worldwide and have maintained a prominent role in the tile trim industry through our revolutionary products, incredible customer service, and innovative responses to market demands.

The product we are very proud of and which celebrates its 12th birthday is the best reinforcement in the world of tiles: Blanke•PERMAT. When we launched, we knew that this product had the potential to revolutionize tile installation. This universal underlayment is particularly suitable for surfaces such as wood and parquet floors and offers both uncoupling and crack-isolation protection, giving long-lasting security to your tile

installation. In addition, it is a key product within unique screed-free flooring systems. The overwhelmingly positive response from installers has both surprised us and driven us on to do even more for our customers. This is why we have further extended our Profile and PERMAT manufacturing units in order to optimize production and offer the best protection for our products until we hand them over to the client.

Our principles of innovative spirit, passion, and quality don't just affect the "big" decisions such as the development of innovative and practical system solutions, the optimization of production, or the opening up of new distribution channels. We also follow these principals for the "little" things. So we have reworked the content and visual design of this price catalog for your convenience. All the important information, images, and technical drawings are now shown even more clearly so that you as a customer can always find the right Blanke product quickly and easily. For the love of the tile:



Yours, Peter W. Blanke
Blanke Managing Director



Perfectly arranged:
The Blanke high-rack facility



The very latest machinery
for making Blanke•PERMAT



Map of the world –
dark areas are Blanke markets

Global competence

After more than 65 years of market presence, today Blanke is an extremely future-oriented company with ambitious objectives. One of these objectives is the development of global networks and the international expansion of our own competencies. The strategic decision to set the company up internationally was made years ago at Blanke – with everything which that entails.

Today, Blanke is represented in more than 80 countries all over the world. With this strategy, and our many partners in Europe, plus our subsidiary in Atlanta, USA, we have every opportunity to recognize market potential early and to exploit the resulting opportunities and synergies – for the good of our customers.



Blanke staff at the 60th anniversary in 2008



Production at Blanke on over 91,500 ft²



Highest possible quality

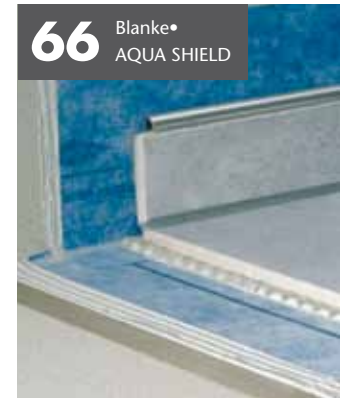
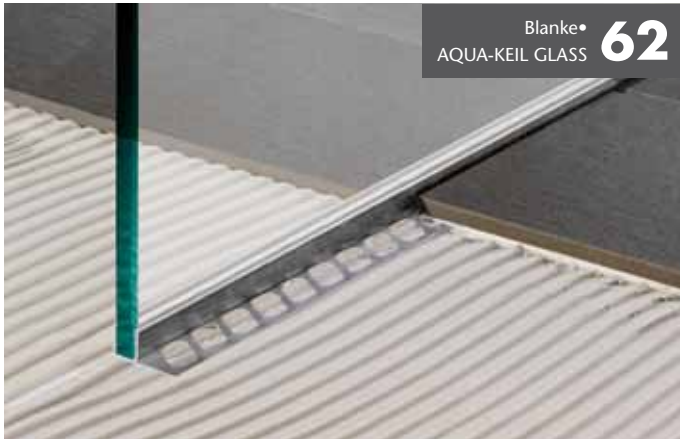
Over the decades, the core competencies of tile accessories, systems, and wire-formed parts have developed into business units in their own right. This means Blanke is able to offer a fully developed product portfolio which meets market requirements and is unrivaled in terms of quality. For Blanke, it is merely a matter of course to produce tile accessory systems of the highest quality.

With all our products and system solutions we place great emphasis on safety, as witnessed by our ISO certification, plus numerous test certificates and reports, such as our certified quality and environmental management system. We also do not shy away from a price / quality balance versus our competitors – quite the opposite in fact. See for yourself.

Innovative system solutions

Companies who are active in a market long term and who want to rise above the competition don't just need high quality products, but also innovative products.

That's why we have a particular focus on technical development at Blanke. On one hand, technical development of innovative, revolutionary products themselves, and on the other hand, the development of practice oriented and complete system solution. As part of this, we listen to the opinions and experiences of everyone who uses our products, in particular dealers and installers. Our ideas for progressive system solutions are always based on feedback from our customers and partners.



TRIMS FOR WALL, FLOOR, AND COUNTERTOP APPLICATIONS

Blanke•Edge Protector Trim	10
Blanke•Quarter Circle Tile Trim	12
Blanke•Triangular Tile Trim	18
Blanke•Floor Accent Profile	19
Blanke•CUBELINE	20
Blanke•DECOLINE	23
Blanke•Corner Pro	NEW 23
Blanke•Corner Angle	24
Blanke•Corner Angle <i>plus</i>	24
Blanke•Sill profile	25
Blanke•F-Profile	NEW 26

STAIR PROFILES

Blanke•Anti-Skip Step Strip	30
Blanke•HD Anti-Skid Step Strip	31
Blanke•Classic Stair Nose	32
Blanke•Deco Stair Nose Profile	33
Blanke•STEPLINE	NEW 34

TRANSITION AND RENOVATION PROFILES

Blanke•Adjustable Transition Profile	38
Blanke•Self-Adhesive Transition Profile	38
Blanke•T-Transition Profile (Gap-Covering)	39
Blanke•DRIVE	39
Blanke•Reducer Trim	40
Blanke•Carpet Trim	40
Blanke•Cove	NEW 41
Blanke•Aluminum Terrazzo Strip	42
Blanke•Skirting	NEW 42

EXPANSION JOINTS AND SCREED ACCESSORIES

Blanke•FLOOREX	46
Blanke•CORNEX	47
Blanke•Surface Expansion Joint	47
Blanke•Heavy Duty Expansion Joint	48
Blanke•Screed Expansion Joint	49
Blanke•V-Screed Expansion Joint	49



FLOOR SYSTEMS AND UNDERLAYMENTS

Blanke•PERMAT Multifunctional Underlayment	52
Blanke•SECUMAT Anti-Fracture Membrane	54

BLANKE•AQUA PROFILES

Blanke•AQUA-KEIL	58
Blanke•AQUA-DECO	59
Blanke•AQUA-KEIL WALL	60
Blanke•AQUA-KEIL GLASS	62
Blanke•AQUA-GLASS	63

WATERPROOFING SYSTEMS

Blanke•AQUA SHIELD	66
Blanke•AQUA SHIELD SET	67
Blanke•ULTRA-DRAIN Outdoor area	68
Blanke•DRAIN-Mat Outdoor area	68

BALCONY AND TERRACE PROFILES

Blanke•BALCONY-Gutter Quarter Circle Trim	72
Blanke•BALCONY-Gutter Edge Protector	73
Blanke•BALCONY-Edge Protector Pro	74

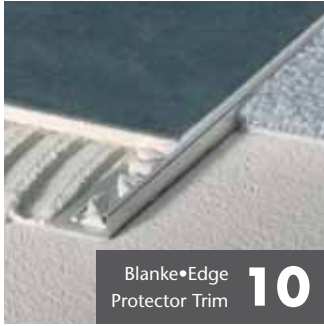
Blanke•Edge Protector	76
Blanke•Edge Protector Plus	NEW 77
Blanke•BALCONY-Gravel Deck Edge Pro	78
Blanke•Gravel Deck Edge	79
Blanke•CoveCover	80
Blanke•BALCONY-SYSTEMS summary	82

SUPPLEMENTAL PRODUCTS

Blanke•Bevel Cutter	86
Blanke•Da Bender	86
Blanke•ULTRAPOL	NEW 86
Blanke•AQUA SEAL	87
Blanke•AQUA SEAL EZA	87
Blanke•Magnetic Tile Catch	87

Material surfaces	88
Part number identification system	92
Notes	94

All prices exclude applicable VAT



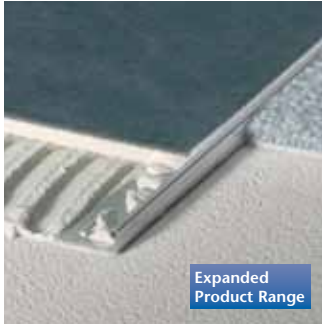
Blanke•Edge
Protector Trim **10**



20 Blanke•
CUBELINE



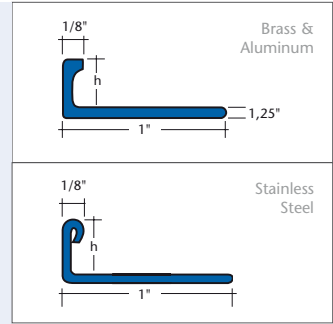
TRIMS FOR WALL, FLOOR, AND COUNTERTOP APPLICATIONS



Expanded Product Range

Blanke•Edge Protector Trim

Blanke•Edge Protectors are designed to provide decorative protection for tile edges. Use Blanke•Edge Protectors where the tile edges are exposed to impact and where an attractive, professional finish is desired.



Expert's tip

The Blanke•Da Bender, a tool used at the jobsite to bend the Blanke-Ease profiles, is featured on page 86. Brass, aluminum and stainless steel edge protectors are available in 8' length with an extra cut in the setting leg to facilitate bending. To order, add a "S" to the end of Part Number. (ex. 300-300-100S = 3/8" Edge Protector Brass Bend-ease). Profiles can take 1-2 weeks for delivery. **The price for the "Bend-Ease" profiles is the standard price per foot plus \$ 0.81.**



Brass 8.0		
natural		
Length 8.0 feet	Part No.	\$/pcs.
1/8	300-300-03025	21.59
3/16	300-300-04525	24.15
1/4	300-300-06025	25.22
5/16	300-300-08025	27.79
3/8	300-300-10025	28.32
1/2	300-300-12525	29.40
19/32	300-300-15025	33.04
3/4	300-300-18525	34.52
7/8	300-300-22025	42.43
1	300-300-25025	43.82
1 3/16	300-300-30025	46.81

Brass 8.0		
chrome-plated		
Length 8.0 feet	Part No.	\$/pcs.
1/8	300-340-06025	66.27
5/16	300-340-08025	68.94
3/8	300-340-10025	69.48
7/16	300-340-11025	70.01
1/2	300-340-12525	70.55

Stainless Steel 8.0		
Length 8.0 feet	Part No.	\$/pcs.
1/16	300-280-02025	21.37
1/8	300-280-03025	22.45
3/16	300-280-04525	26.72
1/4	300-280-06025	27.25
5/16	300-280-08025	28.23
3/8	300-280-10025	29.82
7/16	300-280-11025	30.31
1/2	300-280-12525	30.78
19/32	300-280-15025	36.03
3/4	300-280-18525	38.48
13/16	300-280-20025	39.95
7/8	300-280-22025	40.08
1	300-280-25025	41.29
1 3/16	300-280-30025	49.55

Stainless Steel 8.0		
polished		
Length 8.0 feet	Part No.	\$/pcs.
1/8	300-286-03025	50.77
3/16	300-286-04525	55.04
1/4	300-286-06025	56.02
5/16	300-286-08025	57.40
3/8	300-286-10025	58.89
7/16	300-286-11025	60.36
1/2	300-286-12525	60.61
19/32	300-286-15025	64.67
3/4	300-286-18525	67.43
7/8	300-286-22025	69.48

Stainless Steel 8.0		
brushed		
Length 8.0 feet	Part No.	\$/pcs.
1/4	300-280-06025B	32.70
5/16	300-280-08025B	33.94
3/8	300-280-10025B	36.77
1/2	300-280-12525B	36.98
7/16	300-280-11025B	37.69
19/32	300-280-15025B	38.20
7/8	300-280-22025B	41.67

Stainless Steel 8.0		
acid-resistant		
Length 8.0 feet	Part No.	\$/pcs.
1/4	300-285-06025	42.12
5/16	300-285-08025	43.61
3/8	300-285-10025	45.33
1/2	300-285-12525	47.13
19/32	300-285-15025	49.02

Aluminum 8.0		
natural		
Length 8.0 feet	Part No.	\$/pcs.
1/16	300-400-02025	6.64
1/8	300-400-03025	6.84
3/16	300-400-04525	7.27
1/4	300-400-06025	7.69
5/16	300-400-08025	8.23
3/8	300-400-10025	8.76
7/16	300-400-11025	8.93
1/2	300-400-12525	9.19
19/32	300-400-15025	9.62
3/4	300-400-18525	10.15
7/8	300-400-22025	11.44
1	300-400-25025	12.39
1 3/16	300-400-30025	13.26

Aluminum 8.0		
satin silver anodized		
Length 8.0 feet	Part No.	\$/pcs.
1/16	300-410-02025	10.38
1/8	300-410-03025	10.69
3/16	300-410-04525	10.91
1/4	300-410-06025	11.66
5/16	300-410-08025	12.39
3/8	300-410-10025	13.26
7/16	300-410-11025	13.68
1/2	300-410-12525	14.11
19/32	300-410-15025	14.64
3/4	300-410-18525	15.60
7/8	300-410-22025	17.64
1	300-410-25025	18.60
1 3/16	300-410-30025	20.63

Aluminum 8.0		
shiny silver anodized		
Length 8.0 feet	Part No.	\$/pcs.
1/4	300-430-06025	12.83
5/16	300-430-08025	13.90
3/8	300-430-10025	16.03
7/16	300-430-11025	16.41
1/2	300-430-12525	17.10

Aluminum 8.0 satin gold anodized		
h/in.	Part No.	\$/pcs.
3/16	300-420-04525	10.91
1/4	300-420-06025	11.66
5/16	300-420-08025	12.20
3/8	300-420-10025	13.68
1/2	300-420-12525	14.75
19/32	300-420-15025	15.40

Aluminum 8.0 shiny gold anodized		
h/in.	Part No.	\$/pcs.
1/4	300-480-06025	12.61
5/16	300-480-08025	12.83
3/8	300-480-10025	14.44
1/2	300-480-12525	15.50

Aluminum 8.0 black matte anodized		
h/in.	Part No.	\$/pcs.
5/16	300-416-08025	12.88
3/8	300-416-10025	13.12
7/16	300-416-11025	13.45
1/2	300-416-12525	14.34

Aluminum 8.0 black PVC coated		
h/in.	Part No.	\$/pcs.
1/4	300-456-06025	13.36
5/16	300-456-08025	14.11
3/8	300-456-10025	15.40
1/2	300-456-12525	17.10

Aluminum 8.0 royal champagne anodized		
h/in.	Part No.	\$/pcs.
5/16	300-470-08025	14.53
3/8	300-470-10025	15.04
1/2	300-470-12525	15.87

Aluminum 8.0 titanium bronze anodized		
h/in.	Part No.	\$/pcs.
5/16	300-446-08025	14.53
3/8	300-446-10025	15.04
1/2	300-446-12525	15.87

Aluminum 8.0 white PVC coated		
h/in.	Part No.	\$/pcs.
3/16	300-450-04525	13.15
1/4	300-450-06025	13.36
5/16	300-450-08025	14.11
3/8	300-450-10025	15.40
7/16	300-450-11025	16.25
1/2	300-450-12525	17.10
19/32	300-450-15025	18.71

Aluminum 8.0 oil rubbed bronze		
h/in.	Part No.	\$/pcs.
5/16	300-449-08025	17.90
3/8	300-449-10025	18.35
7/16	300-449-11025	18.93
1/2	300-449-12525	19.50

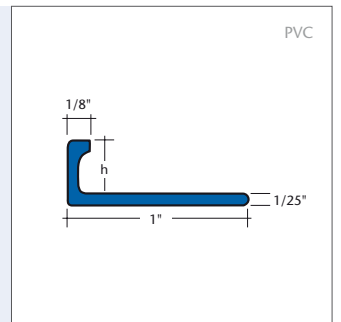
Aluminum 8.0 brushed nickel *		
h/in.	Part No.	\$/pcs.
5/16	300-420B-08025	17.45
7/16	300-420B-11025	17.80
1/2	300-420B-12525	18.20

* Available from July 2016 onwards.



Blanke•Edge Protector Trim

Blanke•Edge Protectors (PVC) are designed to provide a decorative finish and protection to the outside corners of tiled surfaces. The PVC Blanke• Edge Protectors maintain excellent surface quality and are durable against most solvents, weather, and UV rays.



PVC 8.0 white		
h/in.	Part No.	\$/pcs.
1/4	300-501-6025	5.03
5/16	300-501-8025	5.25
3/8	300-501-1025	5.34
1/2	300-501-12525	5.66

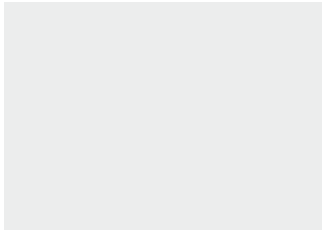
PVC 8.0 jasmin		
h/in.	Part No.	\$/pcs.
1/4	300-5011-6025	5.03
5/16	300-5011-8025	5.25
3/8	300-5011-1025	5.34
1/2	300-5011-12525	5.66

PVC 8.0 bahama beige		
h/in.	Part No.	\$/pcs.
1/4	300-5071-6025	5.03
5/16	300-5071-8025	5.25
3/8	300-5071-1025	5.34
1/2	300-5071-12525	5.66

PVC 8.0 silver grey		
h/in.	Part No.	\$/pcs.
1/4	300-5092-6025	5.03
5/16	300-5092-8025	5.25
3/8	300-5092-1025	5.34
1/2	300-5092-12525	5.66

PVC 8.0 manhattan grey		
h/in.	Part No.	\$/pcs.
1/4	300-5091-6025	5.03
5/16	300-5091-8025	5.25
3/8	300-5091-1025	5.34
1/2	300-5091-12525	5.66

PVC 8.0 grey		
h/in.	Part No.	\$/pcs.
1/4	300-509-6025	5.03
5/16	300-509-8025	5.25
3/8	300-509-10025	5.34
1/2	300-509-12525	5.66



PVC brown 8.0		
Length 8.0 feet		Pack: 10 pieces
h/in.	Part No.	\$/pcs.
1/4	300-508-6025	5.03
5/16	300-508-8025	5.25
3/8	300-508-10025	5.34
1/2	300-508-12525	5.66

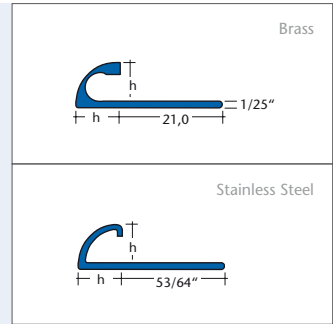
PVC graphite black 8.0		
Length 8.0 feet		Pack: 10 pieces
h/in.	Part No.	\$/pcs.
1/4	300-506-06025	5.03
5/16	300-506-8025	5.25
3/8	300-506-1025	5.34
1/2	300-506-12525	5.66



Expanded Product Range

Blanke•Quarter Circle Tile Trim

Blanke•Quarter Circle Tile Trims provide decorative finish and edge protection for wall and countertop tiled edges. The brass and stainless steel Blanke•Quarter Circle form a symmetrical, curved edge and can also be used as stair nose and transition trims.



Brass natural 8.0		
Length 8.0 feet		Pack: 5 pieces
h/in.	Part No.	\$/pcs.
1/4	347-300-06025	48.31
5/16	347-300-08025	57.28
3/8	347-300-10025	67.34
1/2	347-300-12525	83.05
19/32	347-300-15025	102.18

Brass chrome-plated 8.0		
Length 8.0 feet		Pack: 1 piece
h/in.	Part No.	\$/pcs.
1/4	347-340-06025	79.73
5/16	347-340-08025	88.72
3/8	347-340-10025	98.77
1/2	347-340-12525	116.72
19/32	347-340-15025	135.85

Stainless Steel 8.0		
Length 8.0 feet		Pack: 5 pieces
h/in.	Part No.	\$/pcs.
1/4	347-280-06025	39.33
5/16	347-280-08025	44.57
3/8	347-280-10025	47.88
7/16	347-280-11025	48.77
1/2	347-280-12525	49.38
19/32	347-280-15025	61.77

Stainless Steel brushed 8.0		
Length 8.0 feet		Pack: 5 pieces
h/in.	Part No.	\$/pcs.
1/4	347-280-06025B	49.37
5/16	347-280-08025B	56.10
3/8	347-280-10025B	61.64
7/16	347-280-11025B	61.90
1/2	347-280-12525B	62.25

Stainless Steel polished 8.0		
Length 8.0 feet		Pack: 5 pieces
h/in.	Part No.	\$/pcs.
1/4	347-286-06025	57.09
5/16	347-286-08025	62.63
3/8	347-286-10025	68.31
7/16	347-286-11025	70.57
1/2	347-286-12525	73.86
19/32	347-286-15025	68.17

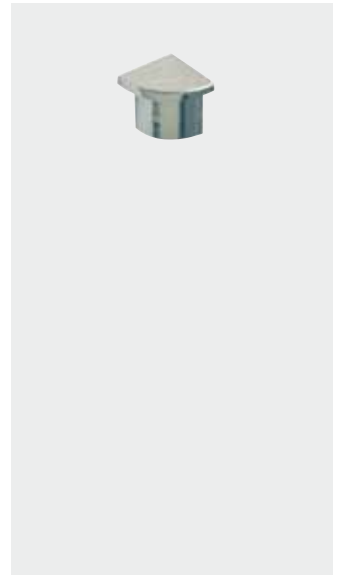
Stainless Steel satin 8.0		
Length 8.0 feet		Pack: 5 pieces
h/in.	Part No.	\$/pcs.
1/4	347-289-06025	49.37
5/16	347-289-08025	56.10
3/8	347-289-10025	61.64
7/16	347-289-11025	61.90
1/2	347-289-12525	62.25

Blanke•Quarter Circle Tile Trim EC

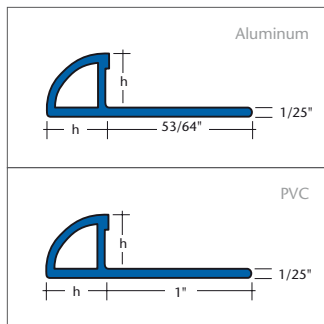
Stainless Steel		
Pack: 1 Piece		
h/in.	Part No.	\$/pcs.
1/4	350-280-060	16.91
5/16	350-280-080	18.28
3/8	350-280-100	18.91
7/16	350-280-110	19.34
1/2	350-280-125	19.64
19/32	350-280-150	20.40

Stainless Steel polished		
Pack: 1 Piece		
h/in.	Part No.	\$/pcs.
1/4	350-286-060	22.70
5/16	350-286-080	24.07
3/8	350-286-100	24.70
7/16	350-286-110	25.12
1/2	350-286-125	25.43

Stainless Steel brushed		
Pack: 1 Piece		
h/in.	Part No.	\$/pcs.
1/4	350-280B-060	22.70
5/16	350-280B-080	24.07
3/8	350-280B-100	24.70
7/16	350-280B-110	25.12
1/2	350-280B-125	25.43



Stainless Steel satin		
Pack: 1 Piece		
h/in.	Part No.	\$/pcs.
1/4	350-289-060	22.70
5/16	350-289-080	24.07
3/8	350-289-100	24.70
7/16	350-289-110	25.12
1/2	350-289-125	25.43



Blanke•Quarter Circle Tile Trim

Blanke•Quarter Circle Trims are made of high-quality aluminum or PVC and bring decorative finish and edge protection to tiled edges. The vertical joint spacer of Blanke•Quarter Circle Tile Trim provides superior structural strength and easy tile alignment. The variety of finishes available allows for ease in color coordination and creating decorative designs.



Expanded Product Range

Aluminum satin silver anodized			8.0
Length 8.0 feet		Pack: 5 pieces	
h/in.	Part No.	\$/pcs.	
1/4	347-410-06025	14.22	
5/16	347-410-08025	16.25	
3/8	347-410-10025	18.27	
7/16	347-410-11025	19.37	
1/2	347-410-12525	21.81	

Aluminum shiny silver anodized			8.0
Length 8.0 feet		Pack: 5 pieces	
h/in.	Part No.	\$/pcs.	
1/4	347-430-06025	16.03	
5/16	347-430-08025	18.17	
3/8	347-430-10025	20.30	
7/16	347-430-11025	21.22	
1/2	347-430-12525	23.52	

Aluminum stainless steel metallic *			8.0
Length 8.0 feet		Pack: 5 pieces	
h/in.	Part No.	\$/pcs.	
1/4	347-4502-06025	15.71	
5/16	347-4502-08025	17.79	
3/8	347-4502-10025	19.93	
7/16	347-4502-11025	20.79	
1/2	347-4502-12525	22.68	

Aluminum satin gold anodized			8.0
Length 8.0 feet		Pack: 5 pieces	
h/in.	Part No.	\$/pcs.	
1/4	347-420-06025	14.75	
5/16	347-420-08025	16.79	
3/8	347-420-10025	18.81	
1/2	347-420-12525	21.81	

Aluminum shiny gold anodized			8.0
Length 8.0 feet		Pack: 5 pieces	
h/in.	Part No.	\$/pcs.	
1/4	347-480-06025	16.57	
5/16	347-480-08025	18.71	
3/8	347-480-10025	20.84	
1/2	347-480-12525	24.05	

Aluminum jasmin *			8.0
Length 8.0 feet		Pack: 5 pieces	
h/in.	Part No.	\$/pcs.	
1/4	347-4501-06025	15.29	
5/16	347-4501-08025	16.25	
3/8	347-4501-10025	17.74	
1/2	347-4501-12525	19.34	

Advantages

- High quality
- Structural support provided by an integrated vertical support piece under the curved profile (Extruded aluminum and PVC)
- Superior weather resistance due to the durable baked-on plastic coating

Aluminum 8.0 white *		
Length 8.0 feet		Pack: 5 pieces
h/in.	Part No.	\$/pcs.
1/4	347-450-06025	15.29
5/16	347-450-08025	16.25
3/8	347-450-10025	17.74
7/16	347-450-11025	18.89
1/2	347-450-12525	19.34

Aluminum 8.0 manhattan grey *		
Length 8.0 feet		Pack: 5 pieces
h/in.	Part No.	\$/pcs.
1/4	347-4591-06025	15.29
5/16	347-4591-08025	16.25
3/8	347-4591-10025	17.74
1/2	347-4591-12525	19.34

Aluminum 8.0 graphite black *		
Length 8.0 feet		Pack: 5 pieces
h/in.	Part No.	\$/pcs.
1/4	347-456-06025	15.29
5/16	347-456-08025	16.25
3/8	347-456-10025	17.74
1/2	347-456-12525	19.34

Aluminum 8.0 royal champagne anodized		
Length 8.0 feet		Pack: 5 pieces
h/in.	Part No.	\$/pcs.
1/4	347-470-06025	16.55
5/16	347-470-08025	18.73
3/8	347-470-10025	21.05
7/16	347-470-11025	22.19
1/2	347-470-12525	23.84

Aluminum 8.0 titanium bronze anodized		
Length 8.0 feet		Pack: 5 pieces
h/in.	Part No.	\$/pcs.
1/4	347-446-06025	16.87
5/16	347-446-08025	18.73
3/8	347-446-10025	21.05
7/16	347-446-11025	22.19
1/2	347-446-12525	23.84

Aluminum 8.0 oil rubbed bronze		
Length 8.0 feet		Pack: 5 pieces
h/in.	Part No.	\$/pcs.
5/16	347-449-08025	19.11
3/8	347-449-10025	21.28
7/16	347-449-11025	22.18
1/2	347-449-12525	24.23

Aluminum 8.0 brushed nickel *		
Length 8.0 feet		Pack: 5 pieces
h/in.	Part No.	\$/pcs.
5/16	347-420B-08025	21.10
7/16	347-420B-11025	23.65
1/2	347-420B-12525	27.10

PVC 8.0 white		
Length 8.0 feet		Pack: 5 pieces
h/in.	Part No.	\$/pcs.
1/4	347-501-06025	6.20
5/16	347-501-08025	6.41
3/8	347-501-10025	6.73
1/2	347-501-12525	8.26

PVC 8.0 jasmin		
Length 8.0 feet		Pack: 5 pieces
h/in.	Part No.	\$/pcs.
1/4	347-5011-06025	6.20
5/16	347-5011-08025	6.41
3/8	347-5011-10025	6.73
1/2	347-5011-12525	8.26

PVC 8.0 bahama beige		
Length 8.0 feet		Pack: 5 pieces
h/in.	Part No.	\$/pcs.
1/4	347-5071-06025	6.20
5/16	347-5071-08025	6.41
3/8	347-5071-10025	6.73

PVC 8.0 manhattan grey		
Length 8.0 feet		Pack: 5 pieces
h/in.	Part No.	\$/pcs.
1/4	347-5091-06025	6.20
5/16	347-5091-08025	6.41
3/8	347-5091-10025	6.73
1/2	347-5091-12525	8.26

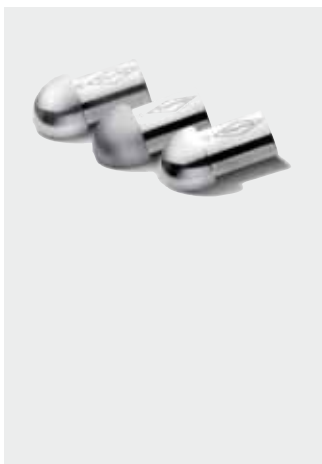
PVC 8.0 pergamon		
Length 8.0 feet		Pack: 5 pieces
h/in.	Part No.	\$/pcs.
1/4	347-5012-06025	6.20
5/16	347-5012-08025	6.41
3/8	347-5012-10025	6.73
1/2	347-5012-12525	6.98

PVC 8.0 graphite black		
Length 8.0 feet		Pack: 5 pieces
h/in.	Part No.	\$/pcs.
1/4	347-506-06025	6.20
5/16	347-506-08025	6.41
3/8	347-506-10025	6.73

PVC 8.0 silver grey		
Length 8.0 feet		Pack: 5 pieces
h/in.	Part No.	\$/pcs.
1/4	347-5092-06025	6.20
5/16	347-5092-08025	6.41
3/8	347-5092-10025	6.73

* Available from July 2016 onwards.

Blanke•Quarter Circle Corner (outer corner)



Brass 8.0 chrome-plated		
Length 8.0 feet		Pack: 1 piece
h/in.	Part No.	\$/pcs.
1/4	348-940-060	5.91
5/16	348-940-080	5.91
3/8	348-940-100	5.91
1/2	348-940-125	5.91

Stainless Steel 8.0		
Length 8.0 feet		Pack: 1 piece
h/in.	Part No.	\$/pcs.
1/4	348-280-060	9.05
5/16	348-280-080	9.43
3/8	348-280-100	10.87
7/16	348-280-110	13.63
1/2	348-280-125	14.52
19/32	348-280-150	17.83

Stainless Steel 8.0 polished		
Length 8.0 feet		Pack: 1 piece
h/in.	Part No.	\$/pcs.
1/4	348-286-060	11.60
5/16	348-286-080	12.35
3/8	348-286-100	13.05
7/16	348-286-110	15.59
1/2	348-286-125	18.14

* powder coated version

Stainless Steel brushed		
Pack: 1 piece		
h/in.	Part No.	\$/pcs.
1/4	348-280B-060	11.60
5/16	348-280B-080	12.35
3/8	348-280B-100	13.05
7/16	348-280B-110	15.59
1/2	348-280B-125	18.14

Stainless Steel satin		
Pack: 1 piece		
h/in.	Part No.	\$/pcs.
1/4	348-289-060	12.76
5/16	348-289-080	13.58
3/8	348-289-100	14.35
7/16	348-289-110	16.17
1/2	348-289-125	18.14

Aluminum satin gold		
Pack: 1 piece		
h/in.	Part No.	\$/pcs.
1/4	348-920-060	5.91
5/16	348-920-080	5.91
3/8	348-920-100	5.91
1/2	348-920-125	5.91

Aluminum shiny gold		
Pack: 1 piece		
h/in.	Part No.	\$/pcs.
1/4	348-980-060	5.91
5/16	348-980-080	5.91
3/8	348-980-100	5.91
1/2	348-980-125	5.91

Aluminum satin silver		
Pack: 1 piece		
h/in.	Part No.	\$/pcs.
1/4	348-410-060	5.91
5/16	348-410-080	5.91
3/8	348-410-100	5.91
7/16	348-410-110	5.91
1/2	348-410-125	5.91

Aluminum shiny silver anodized		
Pack: 1 piece		
h/in.	Part No.	\$/pcs.
1/4	348-930-060	5.91
5/16	348-930-080	5.91
3/8	348-930-100	5.91
7/16	348-930-110	5.91
1/2	348-930-125	5.91

Aluminum white *		
Pack: 1 piece		
h/in.	Part No.	\$/pcs.
1/4	348-950-060	5.91
5/16	348-950-080	5.91
3/8	348-950-100	5.91
7/16	348-950-110	5.91
1/2	348-950-125	5.91

Aluminum jasmin *		
Pack: 1 piece		
h/in.	Part No.	\$/pcs.
1/4	348-9501-060	5.91
5/16	348-9501-080	5.91
3/8	348-9501-100	5.91
1/2	348-9501-125	5.91

Aluminum manhattan grey *		
Pack: 1 piece		
h/in.	Part No.	\$/pcs.
1/4	348-9591-060	5.91
5/16	348-9591-080	5.91
3/8	348-9591-100	5.91
1/2	348-9591-125	5.91

Aluminum stainless steel metallic *		
Pack: 1 piece		
h/in.	Part No.	\$/pcs.
1/4	348-9502-060	6.26
5/16	348-9502-080	6.26
3/8	348-9502-100	6.26
7/16	348-9502-110	6.26
1/2	348-9502-125	6.26

Aluminum titanium bronze anodized		
Pack: 1 piece		
h/in.	Part No.	\$/pcs.
1/4	348-446-060	5.91
5/16	348-446-080	5.91
3/8	348-446-100	5.91
7/16	348-446-110	5.91
1/2	348-446-125	5.91

Aluminum royal champagne anodized		
Pack: 1 piece		
h/in.	Part No.	\$/pcs.
1/4	348-470-060	5.91
5/16	348-470-080	5.91
3/8	348-470-100	5.91
7/16	348-470-110	5.91
1/2	348-470-125	5.91

Aluminum oil rubbed bronze		
Pack: 1 piece		
h/in.	Part No.	\$/pcs.
5/16	348-449-080	5.56
3/8	348-449-100	5.56
7/16	348-449-110	5.56
1/2	348-449-125	5.56

Aluminum brushed nickel *		
Pack: 1 piece		
h/in.	Part No.	\$/pcs.
5/16	349-420B-080	11.15
7/16	349-420B-110	11.15
1/2	349-420B-125	11.15

Stainless Steel look		
Pack: 1 piece		
h/in.	Part No.	\$/pcs.
1/4	348-9280-060	5.91
5/16	348-9280-080	5.91
3/8	348-9280-100	5.91
7/16	348-9280-110	5.91
1/2	348-9280-125	5.91

Stainless Steel look polished		
Pack: 1 piece		
h/in.	Part No.	\$/pcs.
1/4	348-9286-060	5.91
5/16	348-9286-080	5.91
3/8	348-9286-100	5.91
7/16	348-9286-110	5.91
1/2	348-9286-125	5.91

Stainless Steel look brushed		
Pack: 1 piece		
h/in.	Part No.	\$/pcs.
1/4	348-9288-060	5.91
5/16	348-9288-080	5.91
3/8	348-9288-100	5.91
7/16	348-9288-110	5.91
1/2	348-9288-125	5.91

PVC white		
Pack: 1 piece		
h/in.	Part No.	\$/pcs.
1/4	348-501-060	2.07
5/16	348-501-080	2.07
3/8	348-501-100	2.07
1/2	348-501-125	2.07

* Available from July 2016 onwards.

PVC jasmin		
Pack: 1 piece		
h/in.	Part No.	\$/pcs.
1/4	348-5011-060	2.07
5/16	348-5011-080	2.07
3/8	348-5011-100	2.07
1/2	348-5011-125	2.07

PVC manhattan grey		
Pack: 1 piece		
h/in.	Part No.	\$/pcs.
1/4	348-5091-060	2.07
5/16	348-5091-080	2.07
3/8	348-5091-100	2.07
1/2	348-5091-125	2.07

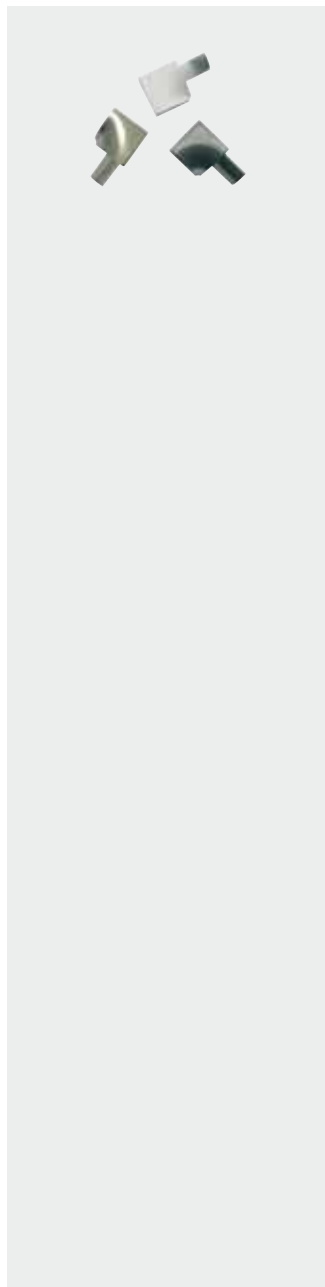
PVC silver grey		
Pack: 1 piece		
h/in.	Part No.	\$/pcs.
1/4	348-5092-060	2.07
5/16	348-5092-080	2.07
3/8	348-5092-100	2.07

PVC bahama beige		
Pack: 1 piece		
h/in.	Part No.	\$/pcs.
1/4	348-5071-060	2.07
5/16	348-5071-080	2.07
3/8	348-5071-100	2.07

PVC pergamon		
Pack: 1 piece		
h/in.	Part No.	\$/pcs.
1/4	348-5012-060	2.07
5/16	348-5012-080	2.07
3/8	348-5012-100	2.07
1/2	348-5012-125	2.07

PVC graphite black		
Pack: 1 piece		
h/in.	Part No.	\$/pcs.
1/4	348-506-060	2.07
5/16	348-506-080	2.07
3/8	348-506-100	2.07
1/2	348-506-125	2.07

Blanke•Quarter Circle Corner (inner corner)



Brass chrome-plated		
Pack: 1 piece		
h/in.	Part No.	\$/pcs.
1/4	349-940-060	5.91
5/16	349-940-080	5.91
3/8	349-940-100	5.91
1/2	349-940-125	5.91

Stainless Steel		
Pack: 1 piece		
h/in.	Part No.	\$/pcs.
1/4	349-280-060	9.70
5/16	349-280-080	9.70
3/8	349-280-100	9.70
7/16	349-280-110	9.70
1/2	349-280-125	9.70

Stainless Steel polished		
Pack: 1 piece		
h/in.	Part No.	\$/pcs.
1/4	349-286-060	10.66
5/16	349-286-080	10.66
3/8	349-286-100	10.66
7/16	349-286-110	10.66
1/2	349-286-125	10.66

Stainless Steel brushed		
Pack: 1 piece		
h/in.	Part No.	\$/pcs.
1/4	349-280B-060	10.66
5/16	349-280B-080	10.66
3/8	349-280B-100	10.66
7/16	349-280B-110	10.66
1/2	349-280B-125	10.66

Stainless Steel satin		
Pack: 1 piece		
h/in.	Part No.	\$/pcs.
1/4	349-289-060	10.66
5/16	349-289-080	10.66
3/8	349-289-100	10.66
7/16	349-289-110	10.66
1/2	349-289-125	10.66

Aluminum satin gold		
Pack: 1 piece		
h/in.	Part No.	\$/pcs.
1/4	349-920-060	5.91
5/16	349-920-080	5.91
3/8	349-920-100	5.91
1/2	349-920-125	5.91

Aluminum shiny gold		
Pack: 1 piece		
h/in.	Part No.	\$/pcs.
1/4	349-980-060	5.91
5/16	349-980-080	5.91
3/8	349-980-100	5.91
1/2	349-980-125	5.91

Aluminum satin silver		
Pack: 1 piece		
h/in.	Part No.	\$/pcs.
1/4	349-410-060	5.91
5/16	349-410-080	5.91
3/8	349-410-100	5.91
7/16	349-410-110	5.91
1/2	349-410-125	5.91

Aluminum shiny silver anodized		
Pack: 1 piece		
h/in.	Part No.	\$/pcs.
1/4	349-930-060	5.91
5/16	349-930-080	5.91
3/8	349-930-100	5.91
7/16	349-930-110	5.91
1/2	349-930-125	5.91

Aluminum stainless steel metallic *		
Pack: 1 piece		
h/in.	Part No.	\$/pcs.
1/4	349-9502-060	5.91
5/16	349-9502-080	5.91
3/8	349-9502-100	5.91
7/16	349-9502-110	5.91
1/2	349-9502-125	5.91

Aluminum white		
Pack: 1 piece		
h/in.	Part No.	\$/pcs.
1/4	349-950-060	5.91
5/16	349-950-080	5.91
3/8	349-950-100	5.91
7/16	349-950-110	5.91
1/2	349-950-125	5.91

Aluminum jasmin *		
Pack: 1 piece		
h/in.	Part No.	\$/pcs.
1/4	349-9501-060	5.91
5/16	349-9501-080	5.91
3/8	349-9501-100	5.91
1/2	349-9501-125	5.91

Aluminum manhattan grey *		
Pack: 1 piece		
h/in.	Part No.	\$/pcs.
1/4	349-9591-060	5.91
5/16	349-9591-080	5.91
3/8	349-9591-100	5.91
1/2	349-9591-125	5.91

Aluminum royal champagne		
Pack: 1 piece		
h/in.	Part No.	\$/pcs.
1/4	349-470-060	5.91
5/16	349-470-080	5.91
3/8	349-470-100	5.91
7/6	349-470-110	5.91
1/2	349-470-125	5.91

Aluminum titanium bronze		
Pack: 1 piece		
h/in.	Part No.	\$/pcs.
1/4	349-446-060	5.91
5/16	349-446-080	5.91
3/8	349-446-100	5.91
7/6	349-446-110	5.91
1/2	349-446-125	5.91

Aluminum oil rubbed bronze		
Pack: 1 piece		
h/in.	Part No.	\$/pcs.
5/16	349-449-080	5.56
3/8	349-449-100	5.56
7/6	349-449-110	5.56
1/2	349-449-125	5.56

Aluminum brushed nickel *		
Pack: 1 piece		
h/in.	Part No.	\$/pcs.
5/16	348-420B-080	11.15
7/6	348-420B-110	11.15
1/2	348-420B-125	11.15

Stainless Steel look polished		
Pack: 1 piece		
h/in.	Part No.	\$/pcs.
1/4	349-9286-060	5.91
5/16	349-9286-080	5.91
3/8	349-9286-100	5.91
7/6	349-9286-110	5.91
1/2	349-9286-125	5.91

Stainless Steel look brushed		
Pack: 1 piece		
h/in.	Part No.	\$/pcs.
1/4	349-9280-060	5.91
5/16	349-9280-080	5.91
3/8	349-9280-100	5.91
7/6	349-9280-110	5.91
1/2	349-9280-125	5.91

Stainless Steel look brushed		
Pack: 1 piece		
h/in.	Part No.	\$/pcs.
1/4	349-928B-060	5.91
5/16	349-928B-080	5.91
3/8	349-928B-100	5.91
7/6	349-928B-110	5.91
1/2	349-928B-125	5.91

PVC white		
Pack: 1 piece		
h/in.	Part No.	\$/pcs.
1/4	349-501-060	2.07
5/16	349-501-080	2.07
3/8	349-501-100	2.07
1/2	349-501-125	2.07

PVC jasmin		
Pack: 1 piece		
h/in.	Part No.	\$/pcs.
1/4	349-5011-060	2.07
5/16	349-5011-080	2.07
3/8	349-5011-100	2.07
1/2	349-5011-125	2.07

PVC silver grey		
Pack: 1 piece		
h/in.	Part No.	\$/pcs.
1/4	349-5092-060	2.07
5/16	349-5092-080	2.07
3/8	349-5092-100	2.07

PVC manhattan grey		
Pack: 1 piece		
h/in.	Part No.	\$/pcs.
1/4	349-5091-060	2.07
5/16	349-5091-080	2.07
3/8	349-5091-100	2.07
1/2	349-5091-125	2.07

PVC bahama beige		
Pack: 1 piece		
h/in.	Part No.	\$/pcs.
1/4	349-5071-060	2.07
5/16	349-5071-080	2.07
3/8	349-5071-100	2.07

PVC pergamon		
Pack: 1 piece		
h/in.	Part No.	\$/pcs.
1/4	349-5012-060	2.07
5/16	349-5012-080	2.07
3/8	349-5012-100	2.07
1/2	349-5012-125	2.07

PVC graphite black		
Pack: 1 piece		
h/in.	Part No.	\$/pcs.
1/4	349-506-060	2.07
5/16	349-506-080	2.07
3/8	349-506-100	2.07

Expert's tip

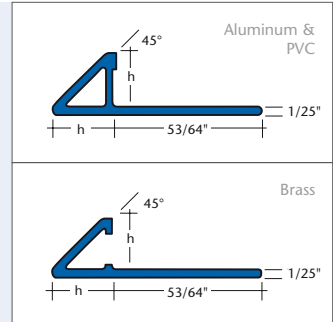
Please use our Blanke•Bevel Cutter for our plastic trims featured on page 86.

* Available from July 2016 onwards.



Blanke•Triangular Tile Trim

The Blanke•Triangular Tile Trim made of high-quality aluminum or brass respectively. These unique tile trims offer an attractive, professional finish to ceramic tile counters and walls. The specially engineered triangular shape of these trims provides exceptional strength and protection for tiled edges and corners.



Advantages:

- High quality
- Structural support provided by an integrated vertical support piece under the curved profile (Extruded aluminum and PVC)
- Superior weather resistance due to the durable baked-on plastic coating

Brass chrome-plated			8.0
Length 8.0 feet		Pack: 5 pieces	
h/in.	Part No.	\$/pcs.	
1/4	380-340-06025	60.92	
5/16	380-340-08025	65.21	
3/8	380-340-10025	70.55	
1/2	380-340-12525	77.96	
17/32	380-340-14025	82.64	

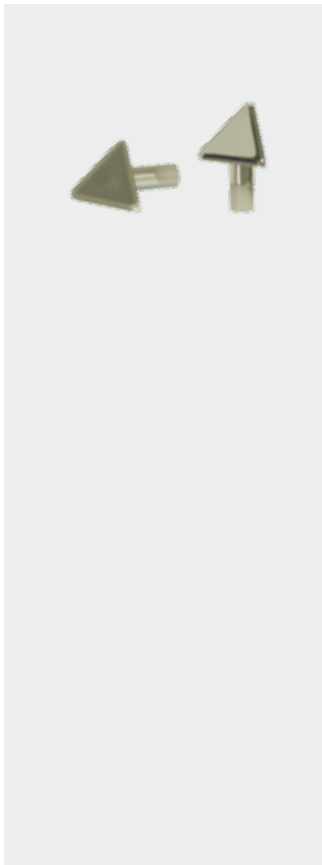
Aluminum satin silver anodized			8.0
Length 8.0 feet		Pack: 5 pieces	
h/in.	Part No.	\$/pcs.	
1/4	380-410-06025	14.22	
5/16	380-410-08025	16.25	
3/8	380-410-10025	18.27	
1/2	380-410-12525	21.81	
17/32	380-410-14025	24.66	

Aluminum stainless steel metallic *			8.0
Length 8.0 feet		Pack: 5 pieces	
h/in.	Part No.	\$/pcs.	
1/4	380-4502-06025	13.78	
5/16	380-4502-08025	15.75	
3/8	380-4502-10025	17.72	
1/2	380-4502-12525	21.15	
17/32	380-4502-14025	23.91	

Aluminum shiny silver anodized			8.0
Length 8.0 feet		Pack: 5 pieces	
h/in.	Part No.	\$/pcs.	
1/4	380-430-06025	34.11	
5/16	380-430-08025	36.98	
3/8	380-430-10025	40.84	
1/2	380-430-12525	44.36	
17/32	380-430-14025	50.13	

PVC white			8.0
Length 8.0 feet		Pack: 5 pieces	
h/in.	Part No.	\$/pcs.	
1/4	380-501-06025	6.41	
5/16	380-501-08025	6.95	
3/8	380-501-10025	8.02	

Blanke•Triangular Corner (outer corner)



Brass chrome-plated			Pack: 1 piece
h/in.	Part No.	\$/pcs.	
1/4	382-340-060	16.91	
5/16	382-340-080	16.91	
3/8	382-340-100	16.91	
1/2	382-340-125	16.91	
17/32	382-340-140	16.91	

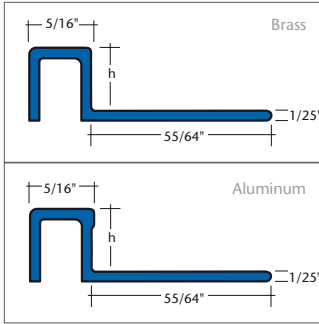
Aluminum satin silver anodized			Pack: 1 piece
h/in.	Part No.	\$/pcs.	
1/4	382-410-060	16.91	
5/16	382-410-080	16.91	
3/8	382-410-100	16.91	
1/2	382-410-125	16.91	
17/32	382-410-140	16.91	

Aluminum stainless steel metallic *			Pack: 1 piece
h/in.	Part No.	\$/pcs.	
1/4	382-4502-060	16.91	
5/16	382-4502-080	16.91	
3/8	382-4502-100	16.91	
1/2	382-4502-125	16.91	
17/32	382-4502-140	16.91	

Aluminum shiny silver anodized			Pack: 1 piece
h/in.	Part No.	\$/pcs.	
1/4	382-430-060	16.91	
5/16	382-430-080	16.91	
3/8	382-430-100	16.91	
1/2	382-430-125	16.91	
17/32	382-430-140	16.91	

PVC white			Pack: 1 piece
h/in.	Part No.	\$/pcs.	
1/4	382-501-060	2.07	
5/16	382-501-080	2.07	
3/8	382-501-100	2.07	

* powder coated version



Blanke•Floor Accent Profile

The Blanke•Floor Accent Profiles provide square outer corners and decorative accents for floor tiles and coves. Available in solid brass, stainless steel and in a variety of aluminum finishes (only the solid brass and natural aluminum should be used in floor applications), the Blanke•Floor Accent Profiles can also be used to form an attractive cove corner.



Expanded Product Range

Brass natural 8.0		
Length 8.0 feet		Pack: 5 pieces
h/in.	Part No.	\$/pcs.
1 ¹¹ / ₃₂	304-300-09025	47.03
7 ⁷ / ₁₆	304-300-11025	50.77
1 ¹ / ₂	304-300-12525	56.11
1 ¹⁹ / ₃₂	304-300-15025	60.92

Brass chrome-plated 8.0		
Length 8.0 feet		Pack: 5 pieces
h/in.	Part No.	\$/pcs.
1 ¹¹ / ₃₂	304-340-09025	121.85
7 ⁷ / ₁₆	304-340-11025	124.56
1 ¹ / ₂	304-340-12525	131.55
1 ¹⁹ / ₃₂	304-340-15025	138.39

Aluminum satin silver anodized 8.0		
Length 8.0 feet		Pack: 5 pieces
h/in.	Part No.	\$/pcs.
1 ¹ / ₄	304-410-06025	20.30
5 ⁵ / ₁₆	304-410-08025	21.91
3 ³ / ₈	304-410-10025	22.45
1 ¹ / ₂	304-410-12525	24.59
1 ¹⁹ / ₃₂	304-410-15025	27.25

Aluminum natural 8.0		
Length 8.0 feet		Pack: 5 pieces
h/in.	Part No.	\$/pcs.
1 ¹ / ₄	304-400-06025	15.50
5 ⁵ / ₁₆	304-400-08025	16.03
3 ³ / ₈	304-400-10025	16.57
1 ¹ / ₂	304-400-12525	17.10
1 ¹⁹ / ₃₂	304-400-15025	18.17

Blanke•Floor Accent Profile (inner and outer corner)

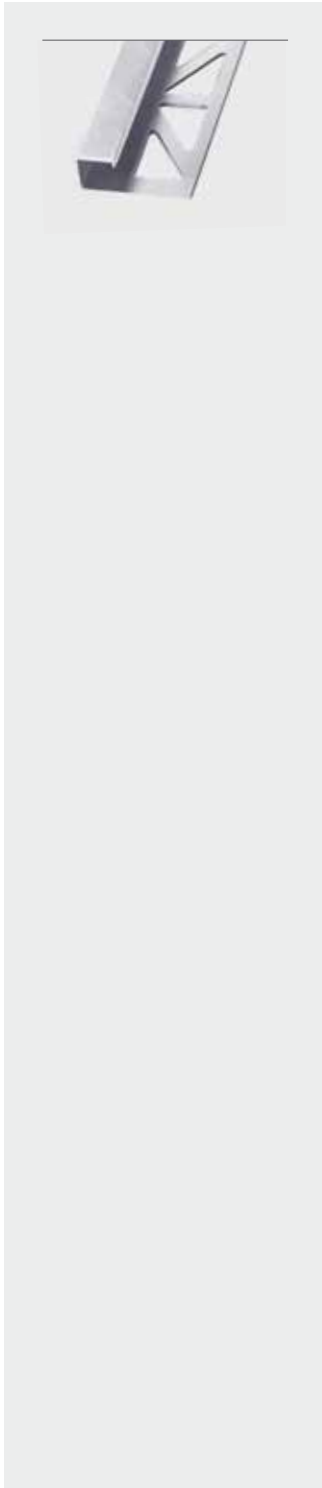
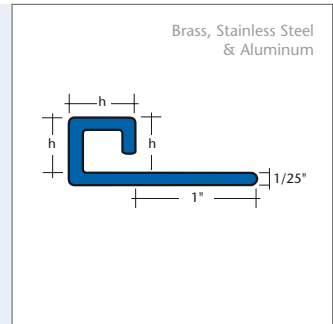
Brass chrome-plated		
Pack: 1 piece		
h/in.	Part No.	\$/pcs.
1 ¹¹ / ₃₂	652-340-090	24.04
7 ⁷ / ₁₆	652-340-110	24.63
1 ¹ / ₂	652-340-125	28.96
1 ¹⁹ / ₃₂	652-340-150	30.65



Expanded Range

Blanke•CUBELINE

Blanke•CUBELINE is a sleek tile edge protector that complements modern tile and stone designs. Unlike traditional edge protectors, this profile features a symmetrical "cube" shape. Several finishes are available which allow the Blanke•CUBELINE to provide decorative design and contrast. In addition to its decorative properties, the Blanke•CUBELINE also provides a durable protective edge for tile and stone applications. The chemical resistant stainless steel version even can be used as staircase.



Brass chrome-plated		8.0
Length 8.0 feet	Pack: 5 pieces	
h/in.	Part No.	\$/pcs.
3/16	740-340-04525	144.51
9/32	740-340-07025	151.06
11/32	740-340-09025	158.34
7/16	740-340-11025	164.22
1/2	740-340-12525	170.72
17/32	740-340-14025	189.58

Stainless Steel		8.0
Length 8.0 feet	Pack: 5 pieces	
h/in.	Part No.	\$/pcs.
3/16	740-280-04525	39.56
9/32	740-280-07025	40.70
11/32	740-280-09025	42.28
3/8	740-280-10025	43.74
7/16	740-280-11025	44.29
1/2	740-280-12525	45.43
17/32	740-280-14025	48.39

Stainless Steel		8.0
polished		
Length 8.0 feet	Pack: 5 pieces	
h/in.	Part No.	\$/pcs.
3/16	740-286-04525	55.94
9/32	740-286-07025	60.64
11/32	740-286-09025	64.98
3/8	740-286-10025	66.16
7/16	740-286-11025	69.50
1/2	740-286-12525	75.16
17/32	740-286-14025	81.85

Stainless Steel		8.0
brushed		
Length 8.0 feet	Pack: 5 pieces	
h/in.	Part No.	\$/pcs.
3/16	740-280B-04525	54.59
9/32	740-280B-07025	59.09
11/32	740-280B-09025	64.22
3/8	740-280B-10025	66.16
7/16	740-280B-11025	68.96
1/2	740-280B-12525	73.49
17/32	740-280B-14025	80.27

Stainless Steel		8.0
satin		
Length 8.0 feet	Pack: 5 pieces	
h/in.	Part No.	\$/pcs.
3/16	740-289-04525	54.59
9/32	740-289-07025	59.09
11/32	740-289-09025	64.22
3/8	740-289-10025	66.16
7/16	740-289-11025	68.96
1/2	740-289-12525	73.59
17/32	740-289-14025	80.27

Stainless Steel		8.0
cross brushed		
Length 8.0 feet	Pack: 5 pieces	
h/in.	Part No.	\$/pcs.
9/32	740-280K-07025	59.09
11/32	740-280K-09025	64.22
7/16	740-280K-11025	68.96

Aluminum		8.0
stainless steel metallic *		
Length 8.0 feet	Pack: 5 pieces	
h/in.	Part No.	\$/pcs.
3/16	740-4502-04525	24.30
9/32	740-4502-07025	27.42
11/32	740-4502-09025	31.15
7/16	740-4502-11025	33.87
1/2	740-4502-12525	37.73
17/32	740-4502-14025	40.49

Aluminum		8.0
shiny silver anodized		
Length 8.0 feet	Pack: 5 pieces	
h/in.	Part No.	\$/pcs.
3/16	740-430-04525	17.95
9/32	740-430-07025	20.25
11/32	740-430-09025	23.01
7/16	740-430-11025	25.37
1/2	740-430-12525	29.72
17/32	740-430-14025	30.38

Aluminum		8.0
satin silver anodized		
Length 8.0 feet	Pack: 5 pieces	
h/in.	Part No.	\$/pcs.
3/16	740-410-04525	12.95
9/32	740-410-07025	15.44
11/32	740-410-09025	16.60
7/16	740-410-11025	18.28
1/2	740-410-12525	20.03
17/32	740-410-14025	21.58

Aluminum		8.0
titanium bronze		
Length 8.0 feet	Pack: 5 pieces	
h/in.	Part No.	\$/pcs.
3/16	740-446-04525	15.46
9/32	740-446-07025	16.04
11/32	740-446-09025	17.16
7/16	740-446-11025	18.12
1/2	740-446-12525	20.11
17/32	740-446-14025	22.05

Aluminum		8.0
white *		
Length 8.0 feet	Pack: 5 pieces	
h/in.	Part No.	\$/pcs.
3/16	740-450-04525	24.30
9/32	740-450-07025	27.42
11/32	740-450-09025	31.15
7/16	740-450-11025	33.87
1/2	740-450-12525	37.73
17/32	740-450-14025	40.49

Aluminum		8.0
royal champagne		
Length 8.0 feet	Pack: 5 pieces	
h/in.	Part No.	\$/pcs.
3/16	740-470-04525	28.24
9/32	740-470-07025	31.62
11/32	740-470-09025	34.66
7/16	740-470-11025	37.69
1/2	740-470-12525	42.39
17/32	740-470-14025	45.96

* powder coated version

Aluminum 8.0 jasmin *		
Length 8.0 feet		Pack: 5 pieces
h/in.	Part No.	\$/pcs.
1 ¹ / ₃₂	740-4501-09025	31.12
7 ⁷ / ₁₆	740-4501-11025	33.88
1 ¹ / ₂	740-4501-12525	37.73

Aluminum 8.0 silver anodized, cross brushed		
Length 8.0 feet		Pack: 5 pieces
h/in.	Part No.	\$/pcs.
3 ³ / ₁₆	740-430K-04525	42.36
9 ⁹ / ₃₂	740-430K-07025	43.94
1 ¹ / ₃₂	740-430K-09025	45.51
7 ⁷ / ₁₆	740-430K-11025	51.03
1 ¹ / ₂	740-430K-12525	53.79
1 ¹⁷ / ₃₂	740-430K-14025	56.35

Aluminum 8.0 black matte anodized		
Length 8.0 feet		Pack: 5 pieces
h/in.	Part No.	\$/pcs.
9 ⁹ / ₃₂	740-416-07025	18.53
1 ¹ / ₃₂	740-416-09025	19.92
7 ⁷ / ₁₆	740-416-11025	21.94
1 ¹ / ₂	740-416-12525	24.04

Aluminum 8.0 oil rubbed bronze		
Length 8.0 feet		Pack: 5 pieces
h/in.	Part No.	\$/pcs.
9 ⁹ / ₃₂	740-449-07025	18.04
1 ¹ / ₃₂	740-449-09025	20.10
7 ⁷ / ₁₆	740-449-11025	21.59
1 ¹ / ₂	740-449-12525	23.65

Aluminum 8.0 brushed nickel *		
Length 8.0 feet		Pack: 5 pieces
h/in.	Part No.	\$/pcs.
1 ¹ / ₃₂	740-420B-090	23.20
7 ⁷ / ₁₆	740-420B-110	26.00
1 ¹ / ₂	740-420B-125	29.80

* Available from July 2016 onwards.

Blanke•CUBELINE, corner piece (inner and outer corner)

Brass 8.0 chrome-plated		
Length 8.0 feet		Pack: 1 piece
h/in.	Part No.	\$/pcs.
3 ³ / ₁₆	741-340-045	15.98
9 ⁹ / ₃₂	741-340-070	16.92
1 ¹ / ₃₂	741-340-090	18.80
7 ⁷ / ₁₆	741-340-110	21.32
1 ¹ / ₂	741-340-125	21.88
1 ¹⁷ / ₃₂	741-340-140	24.03

Stainless Steel 8.0		
Length 8.0 feet		Pack: 1 piece
h/in.	Part No.	\$/pcs.
3 ³ / ₁₆	741-280-045	27.54
9 ⁹ / ₃₂	741-280-070	29.17
1 ¹ / ₃₂	741-280-090	32.41
3 ³ / ₈	741-280-100	34.84
7 ⁷ / ₁₆	741-280-110	36.76
1 ¹ / ₂	741-280-125	37.73
1 ¹⁷ / ₃₂	741-280-140	41.42

Stainless Steel 8.0 polished		
Length 8.0 feet		Pack: 1 piece
h/in.	Part No.	\$/pcs.
3 ³ / ₁₆	741-286-045	34.71
9 ⁹ / ₃₂	741-286-070	36.74
1 ¹ / ₃₂	741-286-090	40.83
3 ³ / ₈	741-286-100	42.53
7 ⁷ / ₁₆	741-286-110	44.10
1 ¹ / ₂	741-286-125	45.19
1 ¹⁷ / ₃₂	741-286-140	51.26



Stainless Steel 8.0 brushed		
Length 8.0 feet		Pack: 1 piece
h/in.	Part No.	\$/pcs.
3 ³ / ₁₆	741-280B-045	34.71
9 ⁹ / ₃₂	741-280B-070	36.74
1 ¹ / ₃₂	741-280B-090	40.83
3 ³ / ₈	741-280B-100	42.93
7 ⁷ / ₁₆	741-280B-110	44.10
1 ¹ / ₂	741-280B-125	45.95
1 ¹⁷ / ₃₂	741-280B-140	50.95

Stainless Steel 8.0 satin		
Length 8.0 feet		Pack: 1 piece
h/in.	Part No.	\$/pcs.
3 ³ / ₁₆	741-289-045	34.71
9 ⁹ / ₃₂	741-289-070	36.74
1 ¹ / ₃₂	741-289-090	40.83
3 ³ / ₈	741-289-100	42.93
7 ⁷ / ₁₆	741-289-110	44.10
1 ¹ / ₂	741-289-125	45.19
1 ¹⁷ / ₃₂	741-289-140	50.95

Stainless Steel 8.0 cross brushed		
Length 8.0 feet		Pack: 1 piece
h/in.	Part No.	\$/pcs.
9 ⁹ / ₃₂	741-280K-070	36.74
1 ¹ / ₃₂	741-280K-090	40.83
7 ⁷ / ₁₆	741-280K-110	44.10

Aluminum 8.0 stainless steel metallic *		
Length 8.0 feet		Pack: 1 piece
h/in.	Part No.	\$/pcs.
3 ³ / ₁₆	741-4502-045	7.33
9 ⁹ / ₃₂	741-4502-070	7.33
1 ¹ / ₃₂	741-4502-090	7.33
7 ⁷ / ₁₆	741-4502-110	7.33
1 ¹ / ₂	741-4502-125	7.33
1 ¹⁷ / ₃₂	741-4502-140	7.33

Aluminum 8.0 satin silver anodized		
Length 8.0 feet		Pack: 1 piece
h/in.	Part No.	\$/pcs.
3 ³ / ₁₆	741-410-045	7.33
9 ⁹ / ₃₂	741-410-070	7.33
1 ¹ / ₃₂	741-410-090	7.33
7 ⁷ / ₁₆	741-410-110	7.33
1 ¹ / ₂	741-410-125	7.33
1 ¹⁷ / ₃₂	741-410-140	7.33

Aluminum 8.0 shiny silver anodized		
Length 8.0 feet		Pack: 1 piece
h/in.	Part No.	\$/pcs.
3 ³ / ₁₆	741-430-045	8.76
9 ⁹ / ₃₂	741-430-070	8.76
1 ¹ / ₃₂	741-430-090	8.76
7 ⁷ / ₁₆	741-430-110	8.76
1 ¹ / ₂	741-430-125	8.76
1 ¹⁷ / ₃₂	741-430-140	8.76

* powder coated version

Blanke•CUBELINE, corner piece (inner and outer corner)

Aluminum white *		
Pack: 1 piece		
h/in.	Part No.	\$/pcs.
3/16	741-450-045	8.76
9/32	741-450-070	8.76
11/32	741-450-090	8.76
7/16	741-450-110	8.76
1/2	741-450-125	8.76
17/32	741-450-140	8.76

Aluminum jasmin *		
Pack: 1 piece		
h/in.	Part No.	\$/pcs.
11/32	741-4501-090	8.76
7/16	741-4501-110	8.76
1/2	741-4501-125	8.76

Aluminum titanium bronze		
Pack: 1 piece		
h/in.	Part No.	\$/pcs.
3/16	741-446-045	9.24
9/32	741-446-070	9.24
11/32	741-446-090	9.24
7/16	741-446-110	9.24
1/2	741-446-125	9.24
17/32	741-446-140	9.24

Aluminum royal champagne		
Pack: 1 piece		
h/in.	Part No.	\$/pcs.
3/16	741-470-045	9.24
9/32	741-470-070	9.24
11/32	741-470-090	9.24
7/16	741-470-110	9.24
1/2	741-470-125	9.24
17/32	741-470-140	9.24

Aluminum black matte anodized		
Pack: 1 piece		
h/in.	Part No.	\$/pcs.
9/32	741-416-070	12.02
11/32	741-416-090	12.02
7/16	741-416-110	12.02
1/2	741-416-125	12.02

Aluminum silver anodized, cross brushed		
Pack: 1 piece		
h/in.	Part No.	\$/pcs.
3/16	741-430K-045	14.78
9/32	741-430K-070	14.78
11/32	741-430K-090	14.78
7/16	741-430K-110	14.78
1/2	741-430K-125	14.78
17/32	741-430K-140	14.78

* Available from July 2016 onwards.

Aluminum oil rubbed bronze		
Pack: 1 piece		
h/in.	Part No.	\$/pcs.
9/32	741-449-070	17.65
11/32	741-449-090	17.65
7/16	741-449-110	17.65
1/2	741-449-125	17.65

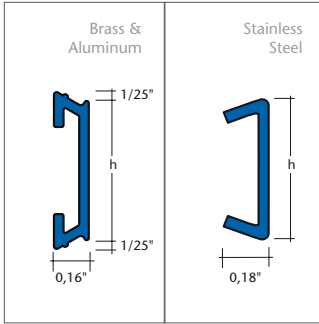
Aluminum brushed nickel *		
Pack: 1 piece		
h/in.	Part No.	\$/pcs.
11/32	741-420B-090	11.50
7/16	741-420B-110	11.50
1/2	741-420B-125	11.50

Stainless Steel look		
Pack: 1 piece		
h/in.	Part No.	\$/pcs.
3/16	741-9280-045	3.67
9/32	741-9280-070	3.67
11/32	741-9280-090	3.67
3/8	741-9280-100	3.67
7/16	741-9280-110	3.67
1/2	741-9280-125	3.67
17/32	741-9280-140	3.67

Stainless Steel look polished		
Pack: 1 piece		
h/in.	Part No.	\$/pcs.
3/16	741-9286-045	5.16
9/32	741-9286-070	5.16
11/32	741-9286-090	5.16
3/8	741-9286-100	5.16
7/16	741-9286-110	5.16
1/2	741-9286-125	5.16
17/32	741-9286-140	5.16

Stainless Steel look brushed		
Pack: 1 piece		
h/in.	Part No.	\$/pcs.
3/16	741-928B-045	5.16
9/32	741-928B-070	5.16
11/32	741-928B-090	5.16
3/8	741-928B-100	5.16
7/16	741-928B-110	5.16
1/2	741-928B-125	5.16
17/32	741-928B-140	5.16

* powder coated version



Blanke•DECOLINE

Blanke•DECOLINE is a profile that provides decorative borders for tiled walls. Blanke•DECOLINE can be combined with the corresponding finish in the Blanke•Quarter Circle Tile Trim for corners for a coordinated and professional installation. The Blanke•DECOLINE made from stainless steel is durable enough to be used as accents in floor tile installation.



	Brass shiny chrome-plated	8.0
Length 8.0 feet		Pack: 2 pieces
h/in.	Part No.	\$/pcs.
1	622-340-25250	131.55

	Stainless Steel brushed	8.0
Length 8.0 feet		Pack: 2 pieces
h/in.	Part No.	\$/pcs.
1	622-280B-25250	116.99

	Stainless Steel satin	8.0
Length 8.0 feet		Pack: 2 pieces
h/in.	Part No.	\$/pcs.
1	622-289-25250	128.69

	Aluminum satin gold anodized	8.0
Length 8.0 feet		Pack: 2 pieces
h/in.	Part No.	\$/pcs.
1	622-420-25250	41.46

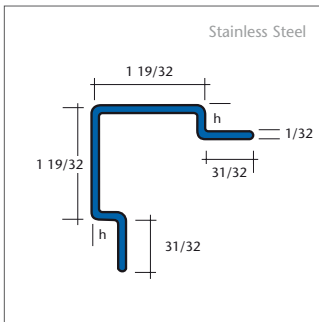
	Aluminum shiny gold anodized	8.0
Length 8.0 feet		Pack: 2 pieces
h/in.	Part No.	\$/pcs.
1	622-480-25250	62.33

	Aluminum satin silver anodized	8.0
Length 8.0 feet		Pack: 2 pieces
h/in.	Part No.	\$/pcs.
1	622-410-25250	41.47

	Aluminum shiny silver anodized	8.0
Length 8.0 feet		Pack: 2 pieces
h/in.	Part No.	\$/pcs.
1	622-430-25250	62.33

Advantages

One size fits tile as thin as 3/16" – suitable for mosaic tiles



NEW Blanke•Corner Pro

The Blanke•Corner Pro is designed where tiled wall corners need to be protected from mechanical impact in industrial and professional environments. The profile creates a strong edge with a clean and decorative finish for outside wall corners.



	Stainless Steel brushed	8.0
Length 8.0 feet		Pack: 1 piece
h/in.	Part No.	\$/pcs.
5/16	197-280-08025	128.20
3/8	197-280-10025	128.20

	Stainless Steel brushed	6.7
Length 6.7 feet		Pack: 1 piece
h/in.	Part No.	\$/pcs.
5/16	197-280-0802	138.32
3/8	197-280-1002	138.32

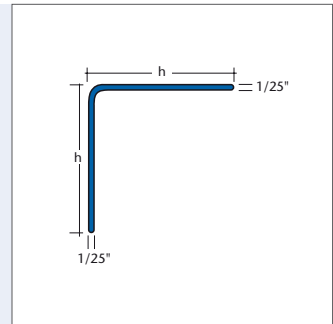
	Stainless Steel brushed	4.11
Length 4.11 feet		Pack: 1 piece
h/in.	Part No.	\$/pcs.
5/16	197-280-08015	155.87
3/8	197-280-10015	155.87



Expanded Product Range

Blanke•Corner Angle

The Blanke•Corner Angles are designed where tiled wall corners need to be protected from mechanical impact in industrial and professional environments. The stainless steel profile creates a strong edge with a clean and decorative finish for outside wall corners. The double-backed glue strips allow Blanke•Corner Angle profiles to adhere directly to the wall tile for easy installation.



Stainless Steel 8.0		
brushed; with glue strip		
Length 8.0 feet	Pack: 1 piece	
h/in.	Part No.	\$/pcs.
1 ³ / ₁₆ x 1 ³ / ₁₆	364-280-03025	86.05
1 ⁹ / ₁₆ x 1 ⁹ / ₁₆	364-280-04025	108.37
2 ³ / ₈ x 2 ³ / ₈	364-280-06025	130.67

Stainless Steel 6.7		
brushed; with glue strip		
Length 6.7 feet	Pack: 1 piece	
h/in.	Part No.	\$/pcs.
1 ³ / ₁₆ x 1 ³ / ₁₆	364-280-0302	80.37
1 ⁹ / ₁₆ x 1 ⁹ / ₁₆	364-280-0402	98.31
2 ³ / ₈ x 2 ³ / ₈	364-280-0602	119.96

Stainless Steel 4.11		
brushed; with glue strip		
Length 4.11 feet	Pack: 1 piece	
h/in.	Part No.	\$/pcs.
1 ³ / ₁₆ x 1 ³ / ₁₆	364-280-03015	57.56
1 ⁹ / ₁₆ x 1 ⁹ / ₁₆	364-280-04015	77.26
2 ³ / ₈ x 2 ³ / ₈	364-280-06015	84.88

Stainless Steel 8.0		
brushed; without glue strip		
Length 8.0 feet	Pack: 1 piece	
h/in.	Part No.	\$/pcs.
1 ³ / ₁₆ x 1 ³ / ₁₆	448-280-03025	87.65
1 ⁹ / ₁₆ x 1 ⁹ / ₁₆	448-280-04025	117.42
2 ³ / ₈ x 2 ³ / ₈	448-280-06025	141.73

Stainless Steel 6.7		
brushed; without glue strip		
Length 6.7 feet	Pack: 1 piece	
h/in.	Part No.	\$/pcs.
1 ³ / ₁₆ x 1 ³ / ₁₆	448-280-0302	70.12
1 ⁹ / ₁₆ x 1 ⁹ / ₁₆	448-280-0402	91.16
2 ³ / ₈ x 2 ³ / ₈	448-280-0602	111.22

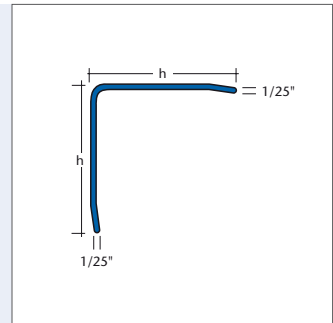
Stainless Steel 4.11		
brushed; without glue strip		
Length 4.11 feet	Pack: 1 piece	
h/in.	Part No.	\$/pcs.
1 ³ / ₁₆ x 1 ³ / ₁₆	448-280-03015	49.96
1 ⁹ / ₁₆ x 1 ⁹ / ₁₆	448-280-04015	71.95
2 ³ / ₈ x 2 ³ / ₈	448-280-06015	79.14



Expanded Product Range

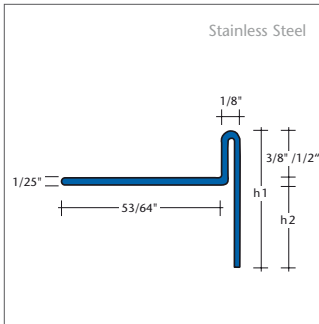
Blanke•Corner Angle Plus

The Blanke•Corner Angles are designed where tiled wall corners need to be protected from mechanical impact in industrial and professional environments. The stainless steel profile creates a strong edge with a clean and decorative finish for outside wall corners.



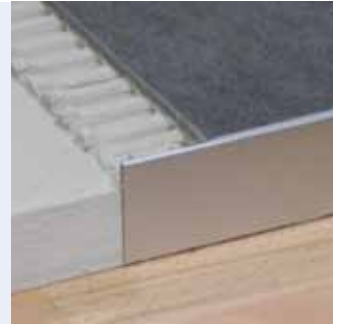
Stainless Steel 8.0		
brushed; without glue strip		
Length 8.0 feet	Pack: 1 piece	
h/in.	Part No.	\$/pcs.
1 ³ / ₁₆ x 1 ³ / ₁₆	451-280-03025	120.08
1 ⁹ / ₁₆ x 1 ⁹ / ₁₆	451-280-04025	156.55

Stainless Steel 6.7		
brushed; without glue strip		
Length 6.7 feet	Pack: 1 piece	
h/in.	Part No.	\$/pcs.
1 ³ / ₁₆ x 1 ³ / ₁₆	451-280-03020	99.90
1 ⁹ / ₁₆ x 1 ⁹ / ₁₆	451-280-04020	126.80



Blanke•Sill Profile

The Blanke•Sill Profile of stainless steel is specifically designed to cover the tiled edge of stairs and countertops where there is a buildup of exposed substrate and underlayment. The brushed exposed face of the profile creates a visually attractive finish while providing long lasting low maintenance protection for the tile edge.



Stainless Steel brushed		3.3	
inner height 3/8 inch, Length 3.3 feet			Pack: 1 piece
h1/in.	h2/in.	Part No.	\$/pcs.
53/64	3/8	757-280B-10211	58.70
1	19/32	757-280B-10261	59.03
1 3/16	3/4	757-280B-10311	60.53
1 4/5	1 3/8	757-280B-10461	65.14

Stainless Steel brushed		10.0	
inner height 3/8 inch, Length 10 feet			Pack: 1 piece
h1/in.	h2/in.	Part No.	\$/pcs.
53/64	3/8	757-280B-10213	136.83
1	19/32	757-280B-10263	140.26
1 3/16	3/4	757-280B-10313	143.67
1 4/5	1 3/8	757-280B-10463	155.65

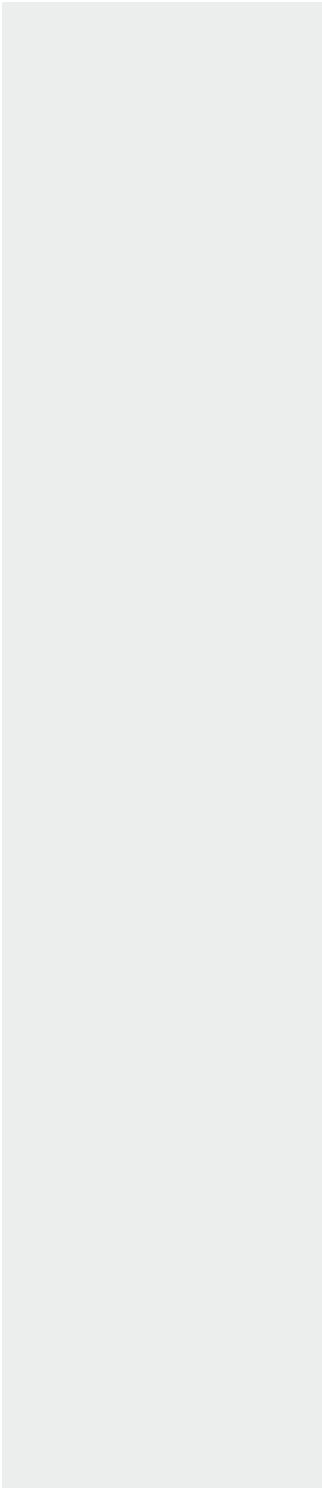
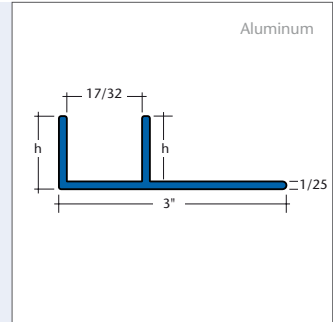
Stainless Steel brushed		3.3	
inner height 1/2 inch, Length 3.3 feet			Pack: 1 piece
h1/in.	h2/in.	Part No.	\$/pcs.
9/10	3/8	757-280B-12231	59.07
1 1/10	19/32	757-280B-12281	60.53
1 3/10	3/4	757-280B-12331	62.25
1 9/10	1 3/8	757-280B-12481	66.48

Stainless Steel brushed		10.0	
inner height 1/2 inch, Length 10.0 feet			Pack: 1 piece
h1/in.	h2/in.	Part No.	\$/pcs.
9/10	3/8	757-280B-12233	140.26
1 1/10	19/32	757-280B-12283	143.67
1 3/10	3/4	757-280B-12333	148.82
1 9/10	1 3/8	757-280B-12483	159.04

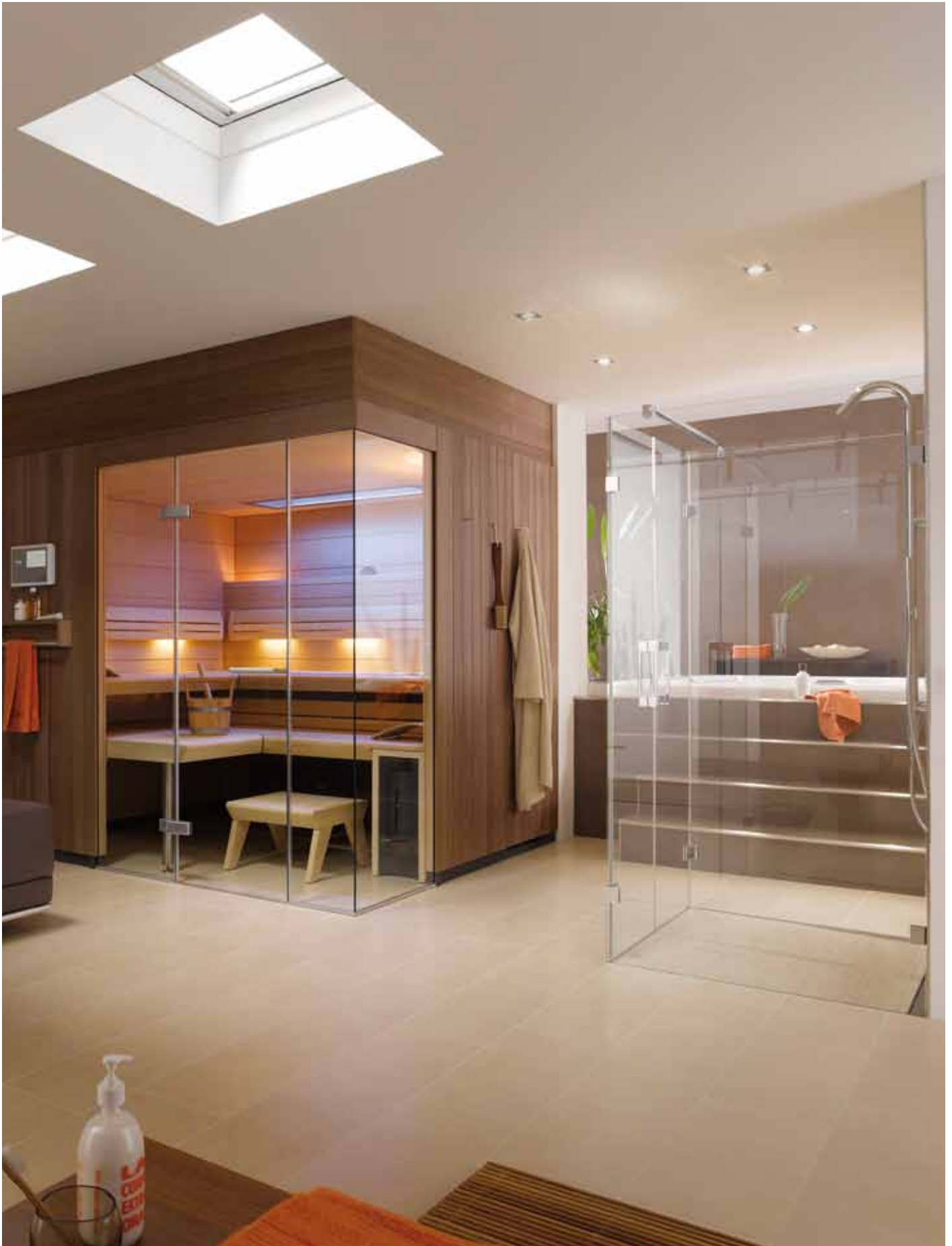


NEW Blanke•F-Profile

Blanke•F-Profile is an aluminum tile trim that creates a 1/2" wide channel that can be used for the decorative purposes of creating a shadow gap. This unique trim can also be used for supporting glass walls, and is available in different heights to work with your tile selection.



<div style="background-color: #0056b3; color: white; padding: 2px;"> Aluminum 8.0 </div> <div style="font-size: 0.8em; color: #0056b3; margin-top: 2px;">satin silver anodized</div>		
Length 8.0 feet		Pack: 1 piece
h/in.	Part No.	\$/piece
$\frac{9}{32}$	292-410-07025	27.10
$\frac{11}{32}$	292-410-09025	27.50
$\frac{7}{16}$	292-410-11025	28.31





33 Blanke•Deco Stair
Nose Profile



30 Blanke•Anti-Skid
Step Strip



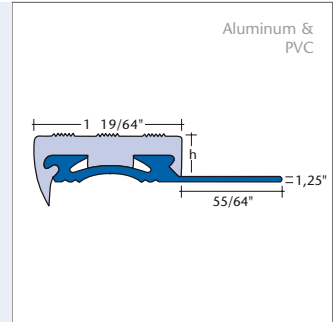
Picture source: GROB BUCHTAL

STAIR PROFILES



Blanke•Anti-Skid Step Strip

The Blanke•Anti-Skid Step Strip is the ideal stair edging for stairways exposed to high traffic and wet conditions. A Blanke•Anti-Skid Step Strip PVC insert is fitted into an aluminum base to form a durable, safe, and attractive stair nose.



	Aluminum	8.0
	with grey PVC insert	
Length 8.0 feet		Pack: 1 piece
h/in.	Part No.	\$/pcs.
¹¹ / ₃₂	458-509-09025	61.99
⁷ / ₁₆	458-509-11025	64.13

	Aluminum	8.0
	with beige PVC insert	
Length 8.0 feet		Pack: 1 piece
h/in.	Part No.	\$/pcs.
¹¹ / ₃₂	458-508S-09025	61.99
⁷ / ₁₆	458-508S-11025	64.13

	Aluminum	8.0
	with brown PVC insert	
Length 8.0 feet		Pack: 1 piece
h/in.	Part No.	\$/pcs.
¹¹ / ₃₂	458-508-09025	61.99
⁷ / ₁₆	458-508-11025	64.13

	Aluminum	8.0
	with graphite black PVC insert	
Length 8.0 feet		Pack: 1 piece
h/in.	Part No.	\$/pcs.
¹¹ / ₃₂	458-506-09025	61.99
⁷ / ₁₆	458-506-11025	64.13

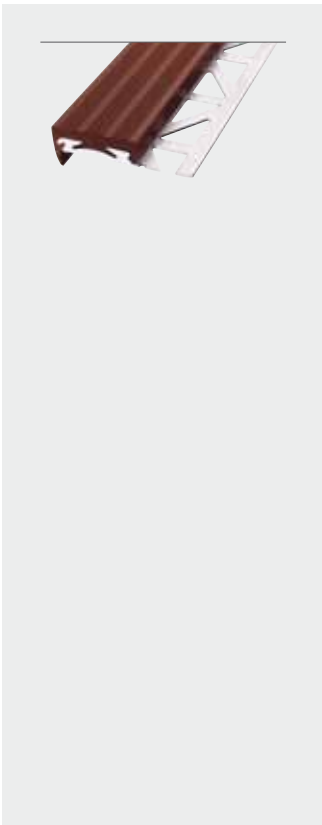
	Aluminum	4.11
	with grey PVC insert	
Length 4.11 feet		Pack: 1 piece
h/in.	Part No.	\$/pcs.
¹¹ / ₃₂	458-509-0915	33.75
⁷ / ₁₆	458-509-1115	37.48

	Aluminum	4.11
	with beige PVC insert	
Length 4.11 feet		Pack: 1 piece
h/in.	Part No.	\$/pcs.
¹¹ / ₃₂	458-508S-0915	33.75
⁷ / ₁₆	458-508S-1115	37.48

	Aluminum	4.11
	with brown PVC insert	
Length 4.11 feet		Pack: 1 piece
h/in.	Part No.	\$/pcs.
¹¹ / ₃₂	458-508-0915	33.75
⁷ / ₁₆	458-508-1115	37.48

	Aluminum	4.11
	with graphite black PVC insert	
Length 4.11 feet		Pack: 1 piece
h/in.	Part No.	\$/pcs.
¹¹ / ₃₂	458-506-0915	33.75
⁷ / ₁₆	458-506-1115	37.48

Blanke•Anti-Skid Step Strip (insert replacement)



	PVC	8.0
	grey	
Length 8.0 feet		Pack: 1 piece
h/in.	Part No.	\$/pcs.
¹¹ / ₃₂	459-509-09025	22.98
⁷ / ₁₆	459-509-11025	35.27

	PVC	8.0
	beige	
Length 8.0 feet		Pack: 1 piece
h/in.	Part No.	\$/pcs.
¹¹ / ₃₂	459-508S-09025	22.98
⁷ / ₁₆	459-508S-11025	35.27

	PVC	8.0
	brown	
Length 8.0 feet		Pack: 1 piece
h/in.	Part No.	\$/pcs.
¹¹ / ₃₂	459-508-09025	22.98
⁷ / ₁₆	459-508-11025	35.27

	PVC	8.0
	graphite black	
Length 8.0 feet		Pack: 1 piece
h/in.	Part No.	\$/pcs.
¹¹ / ₃₂	459-506-09025	22.98
⁷ / ₁₆	459-506-11025	35.27

Blanke•Anti-Skid Step Strip (side cover)

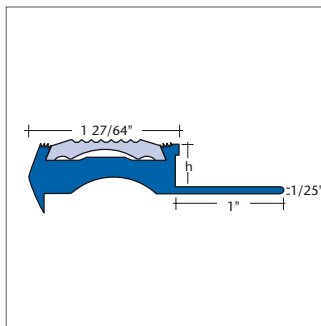
PVC grey		
Pack: 2 pieces		
h/in.	Part No.	\$/pack
1 ¹¹ / ₃₂	456-509-090	1.71
7 ⁷ / ₁₆	456-509-110	1.71

PVC beige		
Pack: 2 pieces		
h/in.	Part No.	\$/pack
1 ¹¹ / ₃₂	456-508S-090	1.71
7 ⁷ / ₁₆	456-508S-110	1.71

PVC brown		
Pack: 2 pieces		
h/in.	Part No.	\$/pack
1 ¹¹ / ₃₂	456-508-090	1.71
7 ⁷ / ₁₆	456-508-110	1.71



PVC graphite black		
Pack: 2 pieces		
h/in.	Part No.	\$/pack
1 ¹¹ / ₃₂	456-506-090	1.71
7 ⁷ / ₁₆	456-506-110	1.71



Blanke•HD Anti-Skid Step Strip

The Blanke•HD Anti-Skid Step Strip is engineered to provide protection and skid resistance for tiled steps in commercial applications exposed to heavy foot traffic. The Blanke•HD Anti-Skid Step Strip combines the strength and durability of extruded aluminum at the edge of the step where impact and wear is the severest. The inserts are available in 3 colors and are easily visible at the step edge to alert sight-impaired pedestrians.



Aluminum 8.0 with grey PVC insert		
Length 8.0 feet Pack: 1 piece		
h/in.	Part No.	\$/pcs.
5 ⁵ / ₁₆	441-419-08025	57.50
3 ³ / ₈	441-419-10025	63.82

Aluminum 8.0 with brown PVC insert		
Length 8.0 feet Pack: 1 piece		
h/in.	Part No.	\$/pcs.
5 ⁵ / ₁₆	441-418-08025	57.50
3 ³ / ₈	441-418-10025	63.82

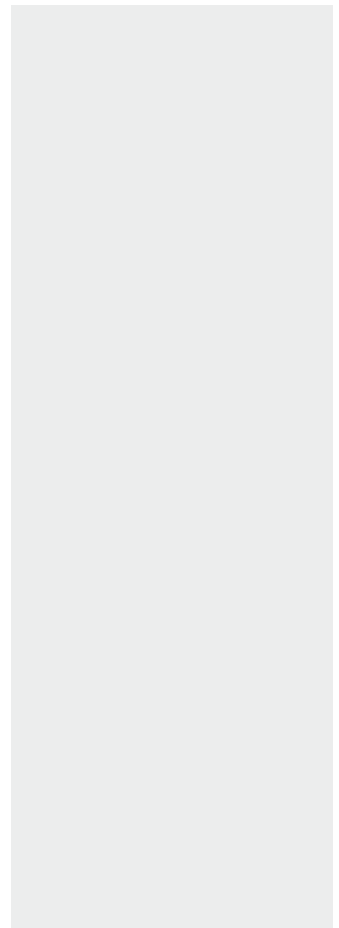
Aluminum 8.0 with graphite black PVC insert		
Length 8.0 feet Pack: 1 piece		
h/in.	Part No.	\$/pcs.
5 ⁵ / ₁₆	441-416-08025	57.50
3 ³ / ₈	441-416-10025	63.82

Aluminum 4.0 with grey PVC insert		
Length 4.0 feet Pack: 1 piece		
h/in.	Part No.	\$/pcs.
5 ⁵ / ₁₆	441-419-080125	31.62
3 ³ / ₈	441-419-100125	35.10

Aluminum 4.0 with brown PVC insert		
Length 4.0 feet Pack: 1 piece		
h/in.	Part No.	\$/pcs.
5 ⁵ / ₁₆	441-418-080125	31.62
3 ³ / ₈	441-418-100125	35.10

Aluminum 4.0 with graphite black PVC insert		
Length 4.0 feet Pack: 1 piece		
h/in.	Part No.	\$/pcs.
5 ⁵ / ₁₆	441-416-080125	31.62
3 ³ / ₈	441-416-100125	35.10

Aluminum 8.0 without insert		
Length 8.0 feet Pack: 2 pieces		
h/in.	Part No.	\$/pcs.
5 ⁵ / ₁₆	442-410-080	48.64
3 ³ / ₈	442-410-100	54.83





Blanke•HD Stair Insert (only insert)

	PVC grey	8.0
Length 8.0 feet	Pack: 1 piece	
Part No.	\$/pcs.	
443-509	8.56	

	PVC grey	80
Length 80.0 feet	Pack: 1 piece	
Part No.	\$/pcs.	
443-509-2500	80.17	

	PVC nut brown	8.0
Length 8.0 feet	Pack: 1 piece	
Part No.	\$/pcs.	
443-508	8.56	

	PVC nut brown	80
Length 80.0 feet	Pack: 1 piece	
Part No.	\$/pcs.	
443-508-2500	80.17	

	PVC graphite black	8.0
Length 8.0 feet	Pack: 1 piece	
Part No.	\$/pcs.	
443-506	8.56	

	PVC graphite black	80
Length 80.0 feet	Pack: 1 piece	
Part No.	\$/pcs.	
443-506-2500	80.17	

Blanke•HD Stair Insert (side cover)



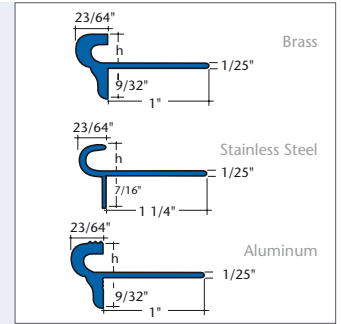
	Metal black *	
Pack: 5 pairs per blister		
h/in.	Part No.	\$/blister
5/16, 3/8	563-166	16.03



Expanded Product Range

Blanke•Classic Stair Nose

The Blanke•Classic Stair Nose is a decorative stair nosing profile specifically to trim stairs and countertop tile installations. This classic shape adds an attractive accent, increases visibility, and provides excellent protection against high impact. Available in chrome-plated brass, stainless steel, and aluminum, the Blanke•Classic Stair Nose is compatible with a wide range of design motifs.



	Brass chrome-plated	8.0
Length 8.0 feet	Pack: 1 piece	
h/in.	Part No.	\$/pcs.
5/16	460-340-08025	126.66
3/8	460-340-10025	146.97
1/2	460-340-12525	174.77
19/32	460-340-15025	217.52

	Brass chrome-plated	4.0
Length 4.0 feet	Pack: 1 piece	
h/in.	Part No.	\$/pcs.
5/16	460-340-080125	70.92
3/8	460-340-100125	82.31
1/2	460-340-125125	97.87
19/32	460-340-150125	119.64

	Stainless Steel	8.0
Length 8.0 feet	Pack: 2 pieces	
h/in.	Part No.	\$/pcs.
11/32	460-280-09025	105.45
7/16	460-280-11025	111.86

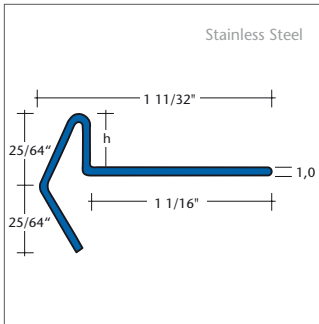
	Stainless Steel brushed	8.0
Length 8.0 feet	Pack: 2 pieces	
h/in.	Part No.	\$/pcs.
11/32	460-280B-09025	116.99
7/16	460-280B-11025	124.34

	Aluminum satin silver anodized	8.0
Length 8.0 feet	Pack: 2 pieces	
h/in.	Part No.	\$/pcs.
5/16	460-410-08025	28.32
3/8	460-410-10025	30.20
1/2	460-410-12525	32.06

	Aluminum satin silver anodized	4.11
Length 4.11 feet	Pack: 2 pieces	
h/in.	Part No.	\$/pcs.
5/16	460-410-08015	21.32
3/8	460-410-10015	24.89
1/2	460-410-12515	26.34

	Aluminum satin silver anodized	4.0
Length 4.0 feet	Pack: 2 pieces	
h/in.	Part No.	\$/pcs.
5/16	460-410-080125	15.74
3/8	460-410-100125	16.76
1/2	460-410-125125	17.82

* powder coated version



Blanke•Deco Stair Nose Profile

The Blanke•Deco Stair Nose Profile combines decorative, contemporary design with the strength and beauty of stainless steel. This trim accents and protects stair edges and countertops for increased durability and visibility.



Stainless Steel 8.0 polished		
Length 8.0 feet		Pack: 2 pieces
h/in.	Part No.	\$/pcs.
5/16	462-286-8025	85.73
3/8	462-286-1025	92.24
1/2	462-286-12525	100.47

Stainless Steel 4.0 polished		
Length 4.0 feet		Pack: 2 pieces
h/in.	Part No.	\$/pcs.
5/16	462-286-8125	45.43
3/8	462-286-1125	48.88
1/2	462-286-125125	53.25

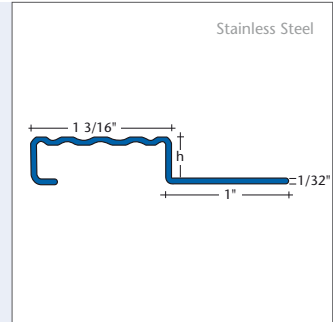
Stainless Steel 8.0 brushed		
Length 8.0 feet		Pack: 2 pieces
h/in.	Part No.	\$/pcs.
5/16	462-280-8025	67.98
3/8	462-280-1025	74.51
1/2	462-280-12525	78.56

Stainless Steel 4.0 brushed		
Length 4.0 feet		Pack: 2 pieces
h/in.	Part No.	\$/pcs.
5/16	462-280-8125	36.03
3/8	462-280-1125	39.49
1/2	462-280-125125	41.64



NEW Blanke•STEPLINE

The Blanke•STEPLINE is a high-quality profile made for protecting stair edges. The anti-slip tread is integrated into the stainless steel surface for increased safety and durability. Blanke•STEPLINE can be used on step treads in combination with ceramics and natural stone fixed according to the thin bed method. This profile is especially effective in commercial applications and high traffic areas.



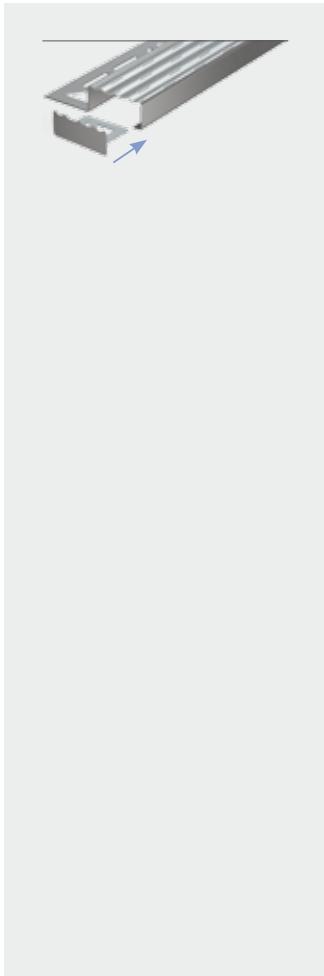
Stainless Steel 8.0		
Length 8.0 feet		Pack: 2 pieces
h/in.	Part No.	\$/pcs.
1 ¹ / ₃₂	841-280-090250	64.81
7 ⁷ / ₁₆	841-280-110250	65.52
17 ¹⁷ / ₃₂	841-280-135250	66.43

Stainless Steel 4.0		
Length 4.0 feet		Pack: 1 piece
h/in.	Part No.	\$/pcs.
1 ¹ / ₃₂	841-280-090125	35.64
7 ⁷ / ₁₆	841-280-110125	36.04
17 ¹⁷ / ₃₂	841-280-135125	36.55

Stainless Steel 8.0 satin		
Length 8.0 feet		Pack: 2 pieces
h/in.	Part No.	\$/pcs.
1 ¹ / ₃₂	841-289-090250	74.82
7 ⁷ / ₁₆	841-289-110250	75.22
17 ¹⁷ / ₃₂	841-289-135250	76.44

Stainless Steel 4.0 satin		
Length 4.0 feet		Pack: 1 piece
h/in.	Part No.	\$/pcs.
1 ¹ / ₃₂	841-289-090125	41.86
7 ⁷ / ₁₆	841-289-110125	42.02
17 ¹⁷ / ₃₂	841-289-135125	42.87

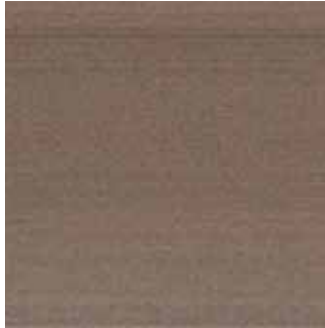
Blanke•STEPLINE, Cover Cap



Stainless Steel		
		Pack: 1 piece
h/in.	Part No.	\$/pcs.
1 ¹ / ₃₂ / 7 ⁷ / ₁₆ / 17 ¹⁷ / ₃₂	842-280	5.14

Stainless Steel satin		
		Pack: 1 piece
h/in.	Part No.	\$/pcs.
1 ¹ / ₃₂ / 7 ⁷ / ₁₆ / 17 ¹⁷ / ₃₂	842-289	5.62







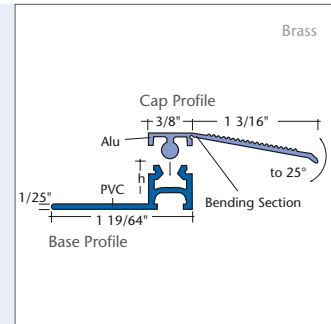
TRANSITION AND RENOVATION PROFILES



Expanded Product Range

Blanke•Adjustable Transition Profile

Due to an innovative design, the Blanke•Adjustable Transition Profile can be used for transition from ceramic tile to any floor surface with a height difference of up to 1/2". The Blanke•Adjustable Transition Profile is comprised of a rigid PVC base which is color coded to designate the corresponding tile height, and an aluminum cap profile which is inserted into the base after the adjoining floor surface has been installed. The aluminum transition arm is then pressed down to rest on the adjacent floor surface.



Aluminum		8.0
satin silver anodized		
Length 8.0 feet		Pack: 1 piece
h/in.	Part No.	\$/pcs.
1/4	423-980-060	40.52
5/16	423-980-080	41.25
3/8	423-980-100	42.12
1/2	423-980-125	42.97

Aluminum		4.0
satin silver anodized		
Length 4.0 feet		Pack: 1 piece
h/in.	Part No.	\$/pcs.
1/4	423-980-060125	29.20
5/16	423-980-080125	29.66
3/8	423-980-100125	30.16
1/2	423-980-125125	30.86

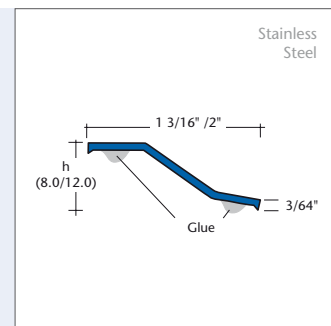
Aluminum		8.0
bronze anodized		
Length 8.0 feet		Pack: 1 piece
h/in.	Part No.	\$/pcs.
1/4	423-950-060	52.60
5/16	423-950-080	53.98
3/8	423-950-100	55.04
1/2	423-950-125	55.90

Aluminum		4.0
bronze anodized		
Length 4.0 feet		Pack: 1 piece
h/in.	Part No.	\$/pcs.
1/4	423-950-060125	33.31
5/16	423-950-080125	33.93
3/8	423-950-100125	34.55
1/2	423-950-125125	35.09

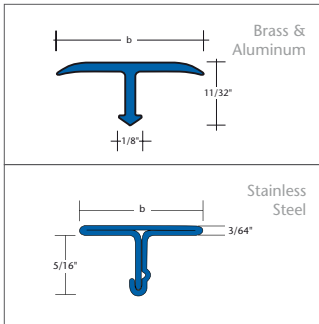


Blanke•Self-Adhesive Transition Profile

The Blanke•Self-Adhesive Transition Profile is easy to apply and adheres to many different surface types including ceramic, wood, vinyl and commercial grade carpet. Because the Blanke•Self-Adhesive Transition Profile goes in after both adjoining surfaces are installed, it is ideal for renovations where the ceramic tile is already in place.



Stainless Steel		8.0
Length 8.0 feet		Pack: 10 pieces
w/in.	Part No.	\$/pcs.
1 3/16	434-280-030	12.23
2	434-280-050	16.59



Blanke•T-Transition Profile (Joint Cover)

The Blanke•T-Transition Profile is available in aluminum, brass, chrome-plated brass, or stainless steel for attractive, decorative transitions.



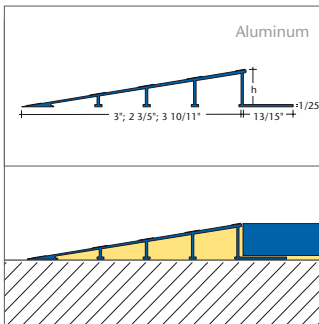
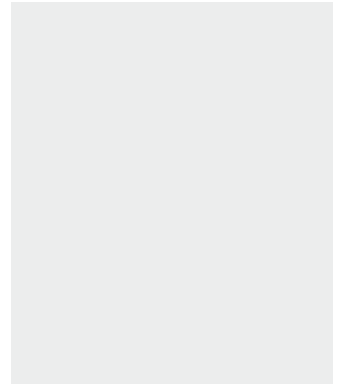
Brass natural		8.0
Length 8.0 feet		Pack: 1 piece
w/in.	Part No.	\$/pcs.
17/32	449-300-1425	17.64
3/4	449-300-2025	29.93

Brass chrome-plated		8.0
Length 8.0 feet		Pack: 1 piece
w/in.	Part No.	\$/pcs.
17/32	449-340-1425	43.82
3/4	449-340-2025	50.77

Aluminum natural		8.0
Length 8.0 feet		Pack: 1 piece
w/in.	Part No.	\$/pcs.
17/32	449-400-1425	5.98
3/4	449-400-2025	7.27

Aluminum satin silver anodized		8.0
Length 8.0 feet		Pack: 1 piece
w/in.	Part No.	\$/pcs.
17/32	449-410-1425	9.41
3/4	449-410-2025	12.55

Stainless Steel		8.0
Length 8.0 feet		Pack: 1 piece
w/in.	Part No.	\$/pcs.
17/32	449-280-1425	28.23
3/4	449-280-2525	31.90

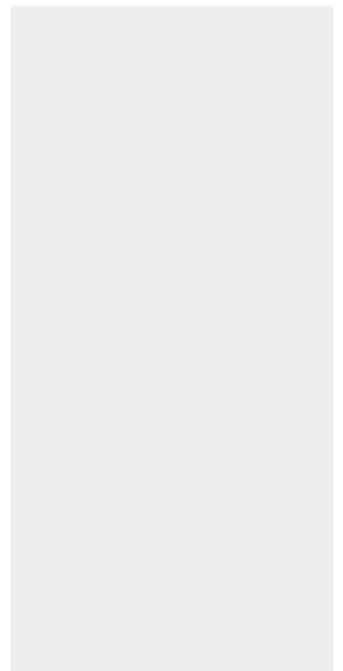


Blanke•DRIVE

Blanke•DRIVE is a transition and renovation profile for transitions exposed to small wheel and roll-on traffic. Ideal for connections from tile to concrete or PVC floorings that require a gradual slope to reduce mechanical stress and eliminate trip hazards.



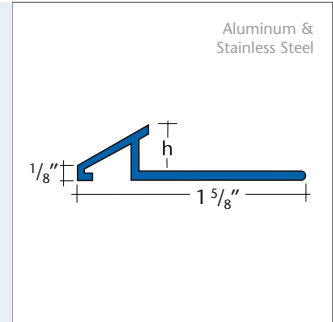
Aluminum satin silver anodized		8.0
Length 8.0 feet		Pack: 1 piece
w/in.	Part No.	\$/pcs.
3/8	580-410-10025	98.92
1/2	580-410-12525	101.07
19/32	580-410-15025	128.07





Blanke•Reducer Trim

The Blanke•Reducer Trim is designed to transition from ceramic tile and stone to flooring at lower elevations. The Blanke•Reducer Trim provides a gradual slope to eliminate trip hazards and is available in brass, stainless steel and aluminum finishes. The Blanke•Reducer is appropriate for a wide range of applications from residential to heavy-load commercial.



Aluminum 8.0		
satin silver anodized		
Length 8.0 feet	Pack: 5 pieces	
w/in.	Part No.	\$/pcs.
5/16	217-410-08025	15.11
5/8	217-410-10025	16.24
1/2	217-410-12525	21.69

Aluminum 8.0		
titanium bronze		
Length 8.0 feet	Pack: 5 pieces	
w/in.	Part No.	\$/pcs.
5/16	217-446-08025	18.69
5/8	217-446-10025	19.96
1/2	217-446-12525	20.58

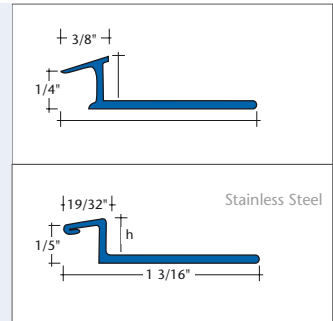
Aluminum 8.0		
royal champagne		
Length 8.0 feet	Pack: 5 pieces	
h/in.	Part No.	\$/pcs.
5/16	217-470-08025	18.69
5/8	217-470-10025	19.96
1/2	217-470-12525	20.58

Stainless Steel 8.0		
brushed		
Length 8.0 feet	Pack: 5 pieces	
w/in.	Part No.	\$/pcs.
5/16	217-280B-09025	58.24
7/6	217-280B-11025	67.39
1/2	217-280B-12525	70.72



Blanke•Carpet Trim

The Blanke•Carpet Trim is an ideal transition from hard tile to lower flooring, especially carpet. The sloped nose of the profile covers the edge of the carpet to prevent carpet fraying while protecting the tile edge. The Blanke•Carpet Trim is available in aluminum, brass, and stainless steel with strength suitable for both residential and commercial applications.

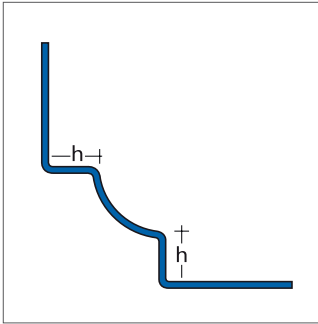


Stainless Steel 8.0		
Length 8.0 feet	Pack: 5 pieces	
w/in.	Part No.	\$/pcs.
5/16	4831-280-08025	90.78
3/8	4831-280-10025	96.07

Aluminum 8.0		
satin silver		
Length 8.0 feet	Pack: 5 pieces	
w/in.	Part No.	\$/pcs.
5/16	218-410-08025	13.68
3/8	218-410-10025	15.60
1/2	218-410-12525	18.35

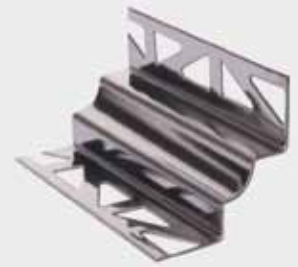
Aluminum 8.0		
titanium bronze		
Length 8.0 feet	Pack: 5 pieces	
w/in.	Part No.	\$/pcs.
5/16	218-446-08025	18.47
3/8	218-446-10025	19.30
1/2	218-446-12525	19.91

Aluminum 8.0		
royal champagne		
Length 8.0 feet	Pack: 5 pieces	
w/in.	Part No.	\$/pcs.
5/16	218-470-08025	18.47
3/8	218-470-10025	19.30
1/2	218-470-12525	19.91



NEW Blanke•Cove

The Stainless Steel profile Blanke•COVE is designed for inside wall-floor transitions where limited movement is expected. The cove-shaped profile makes cleaning simple. Blanke•Cove meets the maintenance and hygienic requirements of commercial kitchens, bathrooms, food processing plants and any tiled floors/walls where a sanitary cove trim is desired.



Stainless Steel 8.0		
Length 8.0 feet		Pack: 1 piece
h/in.	Part No.	\$/pcs.
1/2	424-280-12525	63.00

Stainless Steel 8.0 brushed		
Length 8.0 feet		Pack: 1 piece
h/in.	Part No.	\$/pcs.
1/2	424-280B-12525	82.50

Inner Corner, outer dimension 1/2"

Stainless Steel 8.0		
Length 8.0 feet		Pack: 2 pieces
h/in.	Part No.	\$/pcs.
1/2	426-280-125	7.00

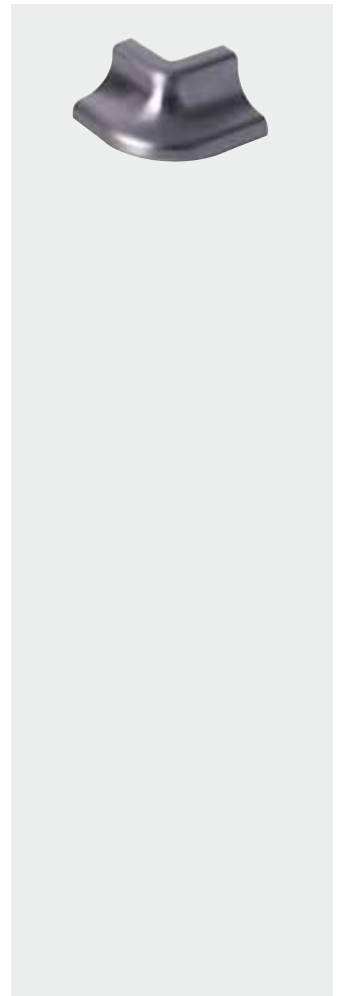
Stainless Steel 8.0 brushed		
Length 8.0 feet		Pack: 2 pieces
h/in.	Part No.	\$/pcs.
1/2	426-280B-125	9.10



Outer Corner, outer dimension 1/2"

Stainless Steel 8.0		
Length 8.0 feet		Pack: 2 pieces
h/in.	Part No.	\$/pcs.
1/2	425-280-125	7.00

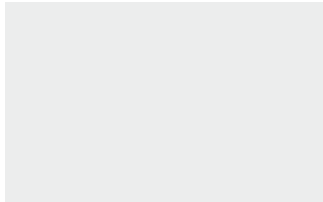
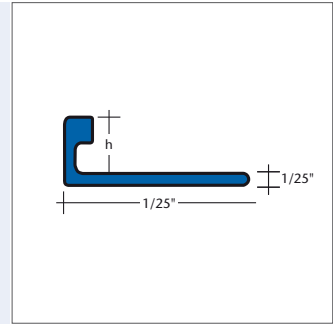
Stainless Steel 8.0 brushed		
Length 8.0 feet		Pack: 2 pieces
h/in.	Part No.	\$/pcs.
1/2	425-280B-125	9.10





Blanke•Aluminum Terrazzo Strip

The Blanke•Aluminum Terrazzo Strip is specifically designed for specifications that call for the square top edge of a zinc strip for edging tile installations. Unlike zinc strips, the Blanke•Aluminum Terrazzo Strip is a durable aluminum extrusion designed for tile installation with large perforations in the setting leg thereby providing for adequate bonding of the tile to the substrate. With its right angled back, this versatile piece can also be used to trim installed tile that abuts new carpet.



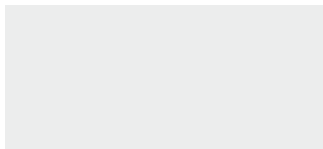
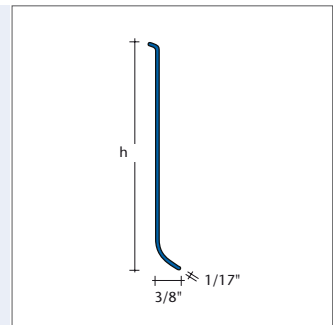
	Aluminum natural	8.0
Length 8.0 feet		Pack: 10 pieces
w/in.	Part No.	\$/pcs.
5/16	306-400-08025	9.08
3/8	306-400-10025	9.52
1/2	306-400-12525	10.26



Expanded Product Range

NEW Blanke•Skirting

The Blanke•Skirting is an anodized aluminum cove profile that is designed to provide attractive interior wall protection. The aluminum profile is available in two different heights with inner and outer corners for both sizes.



	Aluminum satin silver anodized	8.0
Length 8.0 feet		Pack: 1 piece
h/in.	Part No.	\$/pcs.
2 3/8	221-410-060	57.43

	Aluminum white *	8.0
Length 8.0 feet		Pack: 1 piece
h/in.	Part No.	\$/pcs.
2 3/8	221-450-060	92.21

Inner Corner, outer dimension 1 3/16"



	Aluminum satin silver anodized	8.0
Pack: 2 pieces		
h/in.	Part No.	\$/pcs.
2 3/8	222-410-060	38.22

	Aluminum white *	8.0
Pack: 2 pieces		
h/in.	Part No.	\$/pcs.
2 3/8	222-450-060	48.73

Outer Corner, outer dimension 1 3/16"



	Aluminum satin silver anodized	8.0
Pack: 2 pieces		
h/in.	Part No.	\$/pcs.
2 3/8	223-410-060	38.22

	Aluminum white *	8.0
Pack: 2 pieces		
h/in.	Part No.	\$/pcs.
2 3/8	223-450-060	48.73

* powder coated version





49 Blanke•V-Screed
Expansion Joint



Picture source: Stepler, Design



46 Blanke•
FLOOREX



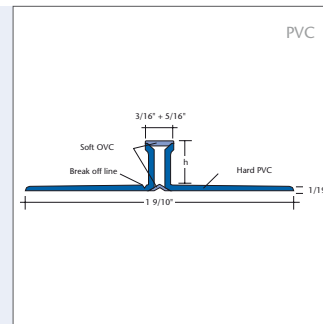
Picture source: AGROB BUCHTAL

EXPANSION JOINTS AND SCREED ACCESSORIES



Blanke•FLOOREX

Blanke•FLOOREX is an expansion joint that provides tile edge protection while absorbing movement. The vertical legs of the Blanke•FLOOREX consist of a durable hard PVC while the upper and lower expansion zones are made with low-gloss PVC in colors that match grout joints for coordinated installations.



Expert's tip:

Blanke•FLOOREX colors match the colors of the Blanke•CORNEX

	PVC light grey	8.0
Joint width 3/16 inch		
Length 8.0 feet		Pack: 1 piece
h/in.	Part No.	\$/pcs.
11/32	315-509-09025	14.96
7/16	315-509-11025	15.72
1/2	315-509-12525	16.50

	PVC light grey	8.0
Joint width 5/16 inch		
Length 8.0 feet		Pack: 1 piece
h/in.	Part No.	\$/pcs.
11/32	308-509-09025	14.96
7/16	308-509-11025	15.72
1/2	308-509-12525	16.50

	PVC medium grey	8.0
Joint width 3/16 inch		
Length 8.0 feet		Pack: 1 piece
h/in.	Part No.	\$/pcs.
11/32	315-5095-09025	14.96
7/16	315-5095-11025	15.72
1/2	315-5095-12525	16.50

	PVC medium grey	8.0
Joint width 5/16 inch		
Length 8.0 feet		Pack: 1 piece
h/in.	Part No.	\$/pcs.
11/32	308-5095-09025	14.96
7/16	308-5095-11025	15.72
1/2	308-5095-12525	16.50

	PVC sand grey	8.0
Joint width 3/16 inch		
Length 8.0 feet		Pack: 1 piece
h/in.	Part No.	\$/pcs.
11/32	315-5093-09025	14.96
7/16	315-5093-11025	15.72
1/2	315-5093-12525	16.50

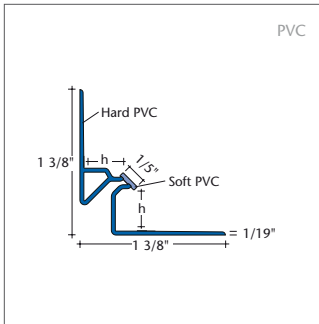
	PVC sand grey	8.0
Joint width 5/16 inch		
Length 8.0 feet		Pack: 1 piece
h/in.	Part No.	\$/pcs.
11/32	308-5093-09025	14.96
7/16	308-5093-11025	15.72
1/2	308-5093-12525	16.50

	PVC anthracite	8.0
Joint width 3/16 inch		
Length 8.0 feet		Pack: 1 piece
h/in.	Part No.	\$/pcs.
11/32	315-5099-09025	14.96
7/16	315-5099-11025	15.72
1/2	315-5099-12525	16.50

	PVC anthracite	8.0
Joint width 5/16 inch		
Length 8.0 feet		Pack: 1 piece
h/in.	Part No.	\$/pcs.
11/32	308-5099-09025	14.96
7/16	308-5099-11025	15.72
1/2	308-5099-12525	16.50

	PVC bahama beige	8.0
Joint width 3/16 inch		
Length 8.0 feet		Pack: 1 piece
h/in.	Part No.	\$/pcs.
11/32	315-5071-09025	14.96
7/16	315-5071-11025	15.72
1/2	315-5071-12525	16.50

	PVC bahama beige	8.0
Joint width 5/16 inch		
Length 8.0 feet		Pack: 1 piece
h/in.	Part No.	\$/pcs.
11/32	308-5071-09025	14.96
7/16	308-5071-11025	15.72
1/2	308-5071-12525	16.50



Blanke•CORNEX

The Blanke•CORNEX is an expansion joint profile that provides an integrated movement joint where the floor tile meets a vertical tile surface. The Blanke•CORNEX has a vertical spacer on its upper edge to accept grout and a lower receptacle for easy placement of the floor tile. The vertical support edges consist of rigid PVC and the movement expansion zone is made from low-gloss PVC in colors that match grout joints for coordinated installations.



PVC		8.0
light grey		
Joint width 3/16 inch		
Length 8.0 feet		Pack: 1 piece
h/in.	Part No.	\$/pcs.
5/16	316-509-08025	31.10
3/8	316-509-10025	31.10

PVC		8.0
light grey		
Joint width 3/16 inch		
Length 8.0 feet		Pack: 1 piece
h/in.	Part No.	\$/pcs.
5/16	316-5093-08025	31.10
3/8	316-5093-10025	31.10

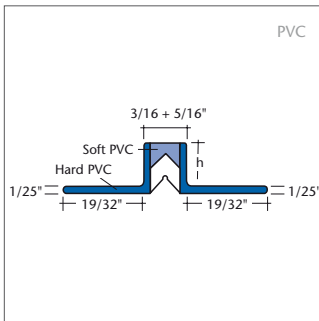
PVC		8.0
medium grey		
Joint width 3/16 inch		
Length 8.0 feet		Pack: 1 piece
h/in.	Part No.	\$/pcs.
5/16	316-5095-08025	31.10
3/8	316-5095-10025	31.10

Expert's tip:

Blanke•CORNEX colors match the colors of the Blanke•FLOOREX

PVC		8.0
anthracite		
Joint width 3/16 inch		
Length 8.0 feet		Pack: 1 piece
h/in.	Part No.	\$/pcs.
5/16	316-5099-08025	31.10
3/8	316-5099-10025	31.10

PVC		8.0
bahama beige		
Joint width 3/16 inch		
Length 8.0 feet		Pack: 1 piece
h/in.	Part No.	\$/pcs.
5/16	316-5071-08025	31.10
3/8	316-5071-10025	31.10



Blanke•Surface Expansion Joint

Blanke•Surface Expansion Joints are manufactured from coextruded rigid and soft PVC. It is used in tiled floors where absorption of compression, shear and tensile stress is required. The PVC material is resistant to weather and UV rays. It can be used for interior and exterior applications.



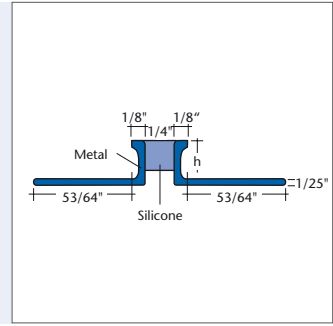
PVC		8.0
light grey		
Joint width 3/16 inch		
Length 8.0 feet		Pack: 1 piece
h/in.	Part No.	\$/pcs.
1/4	504-509-06025	13.05
5/16	504-509-08025	13.26
3/8	504-509-10025	13.79
1/2	504-509-12525	14.33

PVC		8.0
light grey		
Joint width 5/16 inch		
Length 8.0 feet		Pack: 1 piece
h/in.	Part No.	\$/pcs.
1/4	353-509-06025	19.24
5/16	353-509-08025	20.30
3/8	353-509-10025	20.84
1/2	353-509-12525	21.37



Blanke•Heavy Duty Expansion Joint

The Blanke•Heavy Duty Expansion Joint is constructed with aluminum, brass, or stainless steel edges and is filled with a colored silicone. This silicone movement zone is available in multiple colors to coordinate with grout color and helps to absorb movement caused by shrinkage, structure settling, substrate expansion and contraction, and vibration.



Advantages:

- Expansion joint for ceramic tiles
- Specially developed to absorb heavy traffic loads
- Optimal suitability for industrial use
- Excellent resistance to grease, oil and cleaning chemicals
- Available in aluminum or stainless steel

Expert's tip:

You can find different heights, silicone colors as well as the technical data sheet on our web site: www.blankecorp.com

Aluminum 8.0		
light brown silicone		
Length 8.0 feet	Pack: 1 piece	
h/in.	Part No.	\$/pcs.
1/4	355-4082-06025	32.41
5/16	355-4082-08025	34.84
3/8	355-4082-10025	36.44
1/2	355-4082-12525	38.05
19/32	355-4082-15025	39.98
3/4	355-4082-18525	40.72
7/8	355-4082-22025	42.22
1	355-4082-25025	42.85
1 3/16	355-4082-30025	43.95

Aluminum 8.0		
brown silicone		
Length 8.0 feet	Pack: 1 piece	
h/in.	Part No.	\$/pcs.
1/4	355-408-06025	32.41
5/16	355-408-08025	34.84
3/8	355-408-10025	36.44
1/2	355-408-12525	38.05
19/32	355-408-15025	39.98
3/4	355-408-18525	40.72
7/8	355-408-22025	42.22
1	355-408-25025	42.85
1 3/16	355-408-30025	43.95

Aluminum 8.0		
grey silicone		
Length 8.0 feet	Pack: 1 piece	
h/in.	Part No.	\$/pcs.
1/4	355-409-06025	32.41
5/16	355-409-08025	34.84
3/8	355-409-10025	36.44
1/2	355-409-12525	38.05
19/32	355-409-15025	39.98
3/4	355-409-18525	40.72
7/8	355-409-22025	42.22
1	355-409-25025	42.85
1 3/16	355-409-30025	43.95

Aluminum 8.0		
granite grey silicone		
Length 8.0 feet	Pack: 1 piece	
h/in.	Part No.	\$/pcs.
1/4	355-4094-06025	32.41
5/16	355-4094-08025	34.84
3/8	355-4094-10025	36.44
1/2	355-4094-12525	38.05
19/32	355-4094-15025	39.98
3/4	355-4094-18525	40.72
7/8	355-4094-22025	42.22
1	355-4094-25025	42.85
1 3/16	355-4094-30025	43.95

Aluminum 8.0		
black silicone		
Length 8.0 feet	Pack: 1 piece	
h/in.	Part No.	\$/pcs.
1/4	355-406-06025	32.41
5/16	355-406-08025	34.84
3/8	355-406-10025	36.44
1/2	355-406-12525	38.05
19/32	355-406-15025	39.98
3/4	355-406-18525	40.72
7/8	355-406-22025	42.22
1	355-406-25025	42.85
1 3/16	355-406-30025	43.95

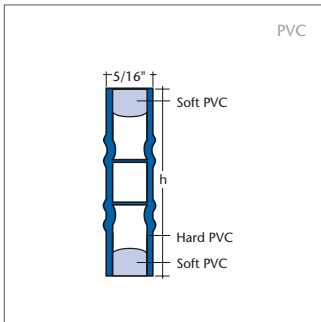
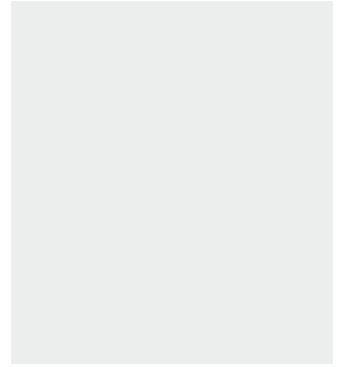
Stainless Steel 8.0		
light brown silicone		
Length 8.0 feet	Pack: 1 piece	
h/in.	Part No.	\$/pcs.
3,0	355-2882-06025	80.03
4,5	355-2882-08025	86.05
6,0	355-2882-10025	90.85
8,0	355-2882-12525	96.20
10,0	355-2882-15025	102.61
11,0	355-2882-18525	104.84
12,5	355-2882-22025	106.88
15,0	355-2882-25025	115.44
22,0	355-2882-30025	117.58

Stainless Steel 8.0		
brown silicone		
Length 8.0 feet	Pack: 1 piece	
h/in.	Part No.	\$/pcs.
1/4	355-288-06025	80.03
5/16	355-288-08025	86.05
3/8	355-288-10025	90.85
1/2	355-288-12525	96.20
19/32	355-288-15025	102.61
3/4	355-288-18525	104.84
7/8	355-288-22025	106.88
1	355-288-25025	115.44
1 3/16	355-288-30025	117.58

Stainless Steel 8.0		
grey silicone		
Length 8.0 feet	Pack: 1 piece	
h/in.	Part No.	\$/pcs.
1/4	355-280-06025	80.03
5/16	355-280-08025	86.05
3/8	355-280-10025	90.85
1/2	355-280-12525	96.20
19/32	355-280-15025	102.61
3/4	355-280-18525	104.84
7/8	355-280-22025	106.88
1	355-280-25025	115.44
1 3/16	355-280-30025	117.58

Stainless Steel 8.0		
granite grey silicone		
Length 8.0 feet	Pack: 1 piece	
h/in.	Part No.	\$/pcs.
1/4	355-2894-06025	80.03
5/16	355-2894-08025	86.05
3/8	355-2894-10025	90.85
1/2	355-2894-12525	96.20
19/32	355-2894-15025	102.61
3/4	355-2894-18525	104.84
7/8	355-2894-22025	106.88
1	355-2894-25025	115.44
1 3/16	355-2894-30025	117.58

Stainless Steel		8.0
black silicone		
Length 8.0 feet		Pack: 1 piece
h/in.	Part No.	\$/pcs.
1/4	355-286-06025	80.03
5/16	355-286-08025	86.05
3/8	355-286-10025	90.85
1/2	355-286-12525	96.20
19/32	355-286-15025	102.61
3/4	355-286-18525	104.84
7/8	355-286-22025	106.88
1	355-286-25025	115.44
1 3/16	355-286-30025	117.58

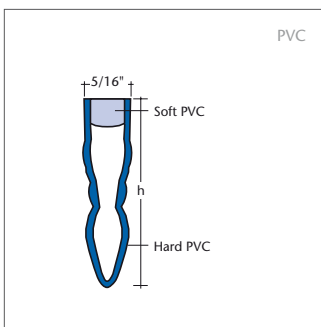
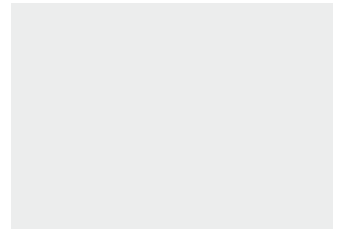


Blanke•Screed Expansion Joint

The Blanke•Screed Expansion Joint is a profile manufactured with hard and soft coextruded PVC. This profile protects tile edges and absorbs any movement from expansion and contraction in medium to thick slabs. The screed expansion joint is used with screeds where there may be compression, shear, and tensile strengths. The soft PVC between the two hard PVC sides forms the expansion zone.



PVC		8.0
concrete grey		
Length 8.0 feet		Pack: 10 pieces
h/in.	Part No.	\$/pcs.
1 3/16	392-509-03025	14.96
1 9/16	392-509-04025	18.71
2	392-509-05025	31.00
2 3/8	392-509-06025	33.99

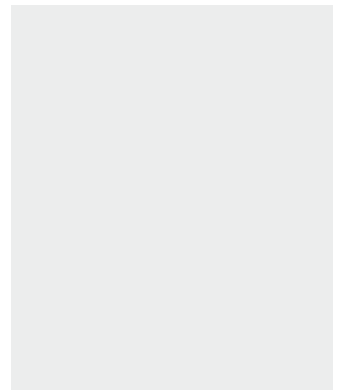


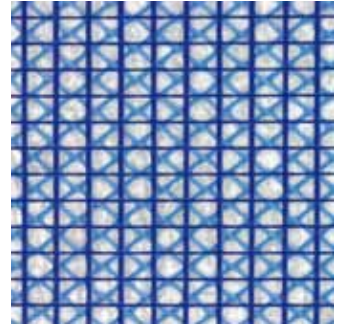
Blanke•V-Screed Expansion Joint

The Blanke•V-Screed Expansion Joint is a profile made of hard and soft coextruded PVC and is used where movement joints are needed in tiles, bricks, or pavers installed in a thick mortar bed. The Blanke•V-Screed absorbs stresses caused by system movements and the hard PVC edges protect the tile edges from wear and tear. These movement joints can also be pounded into a sawcut after installation (i.e. when renovating older buildings).



PVC		8.0
concrete grey		
Length 8.0 feet		Pack: 10 pieces
h/in.	Part No.	\$/pcs.
1 3/16	584-509-03025	10.37
1 9/16	584-509-04025	12.61
2	584-509-05025	20.74
2 3/8	584-509-06025	33.78

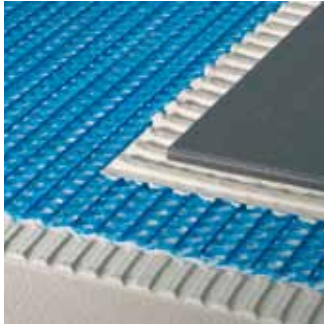






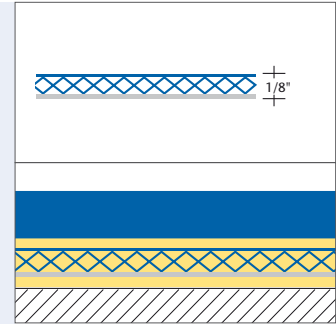
Picture source: Steuler Design

FLOOR SYSTEMS AND UNDERLAYMENTS



Blanke•PERMAT

Blanke•PERMAT is an innovative uncoupling underlayment that offers all the labor saving benefits of the plastic roll systems. Through its layered mesh structure, Blanke•PERMAT provides uncoupling protection and adds support to wood substrates, reducing deflection and provides greater compression and tensile strength than plastic roll products. Blanke•PERMAT is stable to walk on during installation and does not require additional curing time when installing porcelain with latex modified thinset.



Blanke•PERMAT

30 sheets per carton = 195 sq. ft.

1 sheet = 6.5 sq. ft.

Pack: 1 carton

Width / Length

Part No.

\$/carton

2' x 3.2'

527-904-US

699.50

Important note:

Robinson Floor Test

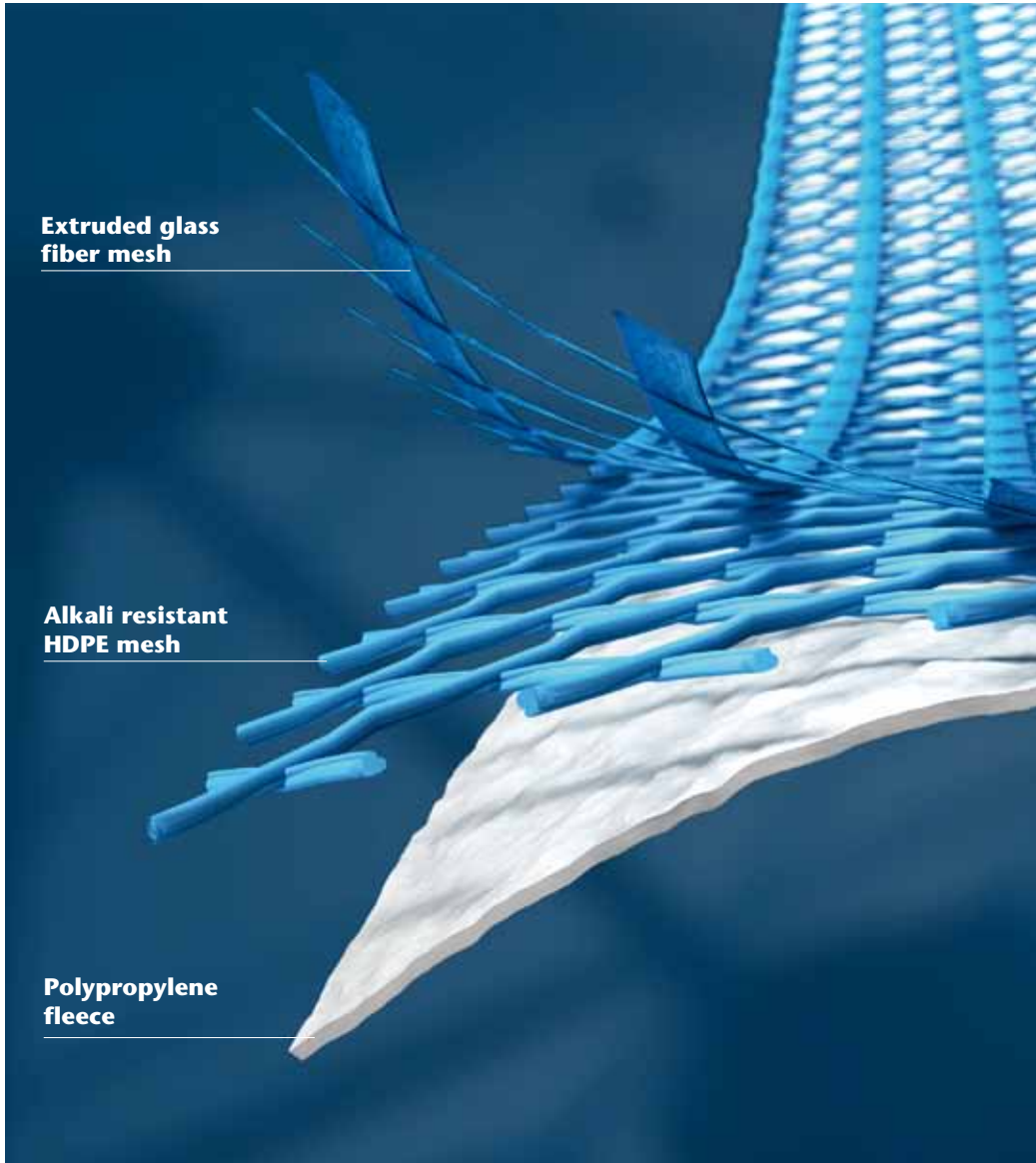
Rated HEAVY INDUSTRIAL in Robinson Floor Test conducted by Smith-Emerly Laboratories, Los Angeles. (Project no. 35591-1)
Record of Damage:
None – in all categories and weights tested.

Advantages

- Reinforces wood substrates
- Only one layer of 3/4" plywood required under most natural stone installations
- Provides uncoupling / crack isolation protection on cement substrates
- Only 1/8" thick – minimize transition height particularly to wood laminate floors
- 50 % higher compression strength and 7x greater tensile strength than rolled uncoupling products



**ROBINSON FLOOR TEST
HEAVY INDUSTRIAL**



Extruded glass fiber mesh

Alkali resistant HDPE mesh

Polypropylene fleece

Point load 4000 PSI

Eliminates broken tiles due to excellent protection in a point load

Tensile strength 135 PSI

Unique strength, corresponding to the tile adhesive standard

Traffic load 1.25 PSI

Clear strengthening of the floor construction

Material thickness 1/8"

Ideal for renovation work due to very low installation height

100% diffusion capability

Secure drying of the adhesive guaranteed



1 Apply loosely mixed modified thinset to the substrate using a 1/4" x 1/4" notched trowel.



2 Install Blanke•PERMAT fleece-side down, making sure to overlap and keep 3" min. offset pattern. *NOTE: Observe open time of chosen mortar.



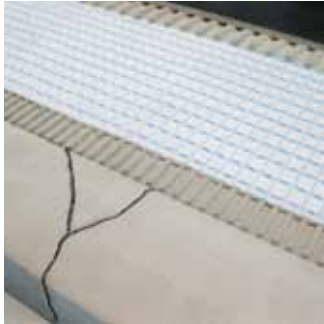
3 Work thin-set mortar into the surface of Blanke•PERMAT and set the tiles.



4 Remember to install perimeter joints and Blanke expansion joints per TCNA guidelines EJ171. *NOTE: Read complete instructions before installing.

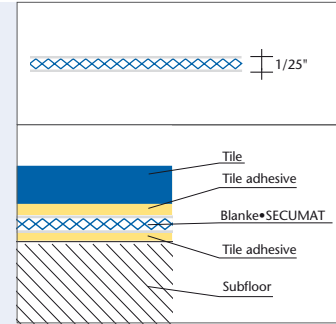
Competence for installers, site managers and architects

The success of Blanke•PERMAT is based on close cooperation with our loyal installers and commercial partners, dialogue with planners, architects, and of course, end users. All our product partners have tested their products with Blanke•PERMAT and been happy with the results. Information sheets about tests and authorisations can be requested from us or downloaded from blankecorp.com.



Blanke•SECUMAT

Blanke•SECUMAT is a tear-proof rolled uncoupling underlayment that provides a secure bonding surface for ceramic tile and natural stone installations on both interior floors and walls. Blanke•SECUMAT minimizes tile assembly thickness and provides crack isolation protection that helps prevent damage to the tile covering caused by lateral substrate movement. This lightweight, easy-to-install underlayment features low elevation and requires less thinset than other rolled uncoupling products.



Advantages:

- Low elevation
- Easy to cut and install
- Uses less thinset than other uncoupling products
- Provides uncoupling crack isolation properties
- Approved for wood and cement substrates
- Approved for use of modified thinset with porcelain tile
- Approved for all tile sizes including mosaics

Expert's tip:

Suitable to provide crack isolation under partial areas of an installation

Material features:

Blanke•SECUMAT is constructed from a fiberglass reinforcing mesh embedded between two layers of polyester fabric.

Blanke•SECUMAT		
1 roll = 538 sq. ft.		Pack: 1 roll
W/L	Part No.	\$/roll
3.28 x 164 ft	758-904	1060.29

Blanke•SECUMAT		
1 roll = 161 sq. ft.		Pack: 1 roll
W/L	Part No.	\$/roll
3.28 x 49.2 ft	758-904-15	333.53



1 Apply loosely mixed modified thinset mortar to the substrate using a 5/16" V-notched trowel.



2 Apply Blanke•SECUMAT to the substrate and embed mat with float or roller. *NOTE: Observe open time of chosen mortar.



3 Work thin-set mortar into the surface of Blanke•SECUMAT and set the tiles.



4 Remember to install perimeter joints and Blanke expansion joints per TCNA guidelines EJ171. *NOTE: Read complete instructions before installing.







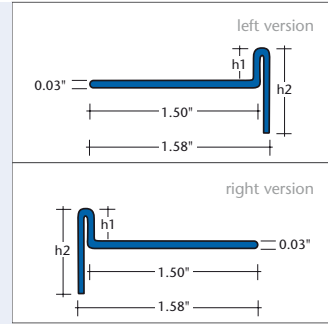
BLANKE•AQUA PROFILES



Expanded Product Range

Blanke•AQUA-KEIL

Blanke•AQUA-KEIL is the perfect solution for transition from a sloped tiled shower floor to a level adjacent floor where a glass partition or wall is needed. It is particularly useful for showers with a constant pitch down to a linear drain. Left and right versions are available.



Advantages:

- Easy to install; profile is pre-sloped (2%)
- Eliminates odd angled cuts of wall tile at base of shower wall
- Facilitates cleaning and shower maintenance
- Provides a sleek seamless contemporary finish to wall/floor connections

Attention:

It is very important that the Blanke•AQUA-KEIL does not damage the waterproofing material (such as Blanke•AQUA SHIELD). Different slopes can be created by using different heights of tiles. (Image 1)

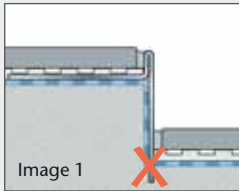


Image 1

Left version		3.215	
stainless steel, brushed			
Length 3.215 feet		Pack: 1 piece	
h1/in.	h2/in.	Part No.	\$/pcs.
5/16	15/16	754-280B-080-L	114.13
3/8	15/16	754-280B-100-L	115.54
7/16	15/16	754-280B-110-L	116.25
1/2	15/16	754-280B-125-L	116.63

Right version		3.215	
stainless steel, brushed			
Length 3.215 feet		Pack: 1 piece	
h1/in.	h2/in.	Part No.	\$/pcs.
5/16	15/16	754-280B-080-R	114.13
3/8	15/16	754-280B-100-R	115.54
7/16	15/16	754-280B-110-R	116.25
1/2	15/16	754-280B-125-R	116.63

Left version		4.10	
stainless steel, brushed			
Length 4.10 feet		Pack: 1 piece	
h1/in.	h2/in.	Part No.	\$/pcs.
5/16	1 9/32	755-280B-080-L	178.17
3/8	1 9/32	755-280B-100-L	179.56
7/16	1 9/12	755-280B-110-L	180.68
1/2	1 9/32	755-280B-125-L	180.97

Right version		4.10	
stainless steel, brushed			
Length 4.10 feet		Pack: 1 piece	
h1/in.	h2/in.	Part No.	\$/pcs.
5/16	1 9/32	755-280B-080-R	178.17
3/8	1 9/32	755-280B-100-R	179.56
7/16	1 9/12	755-280B-110-R	180.68
1/2	1 9/32	755-280B-125-R	180.97

Left version		6.7	
stainless steel, brushed			
Length 6.7 feet		Pack: 1 piece	
h1/in.	h2/in.	Part No.	\$/pcs.
3/8	1 9/16	844-280B-100-L	296.29
7/16	1 9/16	844-280B-110-L	297.52
1/2	1 9/16	844-280B-125-L	299.44

Right version		6.7	
stainless steel, brushed			
Length 6.7 feet		Pack: 1 piece	
h1/in.	h2/in.	Part No.	\$/pcs.
3/8	1 9/16	844-280B-100-R	296.29
7/16	1 9/16	844-280B-110-R	297.52
1/2	1 9/16	844-280B-125-R	299.44

Left version		3.215	
stainless steel, satin			
Length 3.215 feet		Pack: 1 piece	
h1/in.	h2/in.	Part No.	\$/pcs.
5/16	15/16	754-289-080-L	125.55
3/8	15/16	754-289-100-L	127.07
7/16	15/16	754-289-110-L	127.87
1/2	15/16	754-289-125-L	128.61

Right version		3.215	
stainless steel, satin			
Length 3.215 feet		Pack: 1 piece	
h1/in.	h2/in.	Part No.	\$/pcs.
5/16	15/16	754-289-080-R	125.55
3/8	15/16	754-289-100-R	127.07
7/16	15/16	754-289-110-R	127.87
1/2	15/16	754-289-125-R	128.61

Left version		4.10	
stainless steel, satin			
Length 4.10 feet		Pack: 1 piece	
h1/in.	h2/in.	Part No.	\$/pcs.
5/16	1 9/32	755-289-080-L	195.99
3/8	1 9/32	755-289-100-L	198.46
7/16	1 9/32	755-289-110-L	198.80
1/2	1 9/32	755-289-125-L	199.05

Right version		4.10	
stainless steel, satin			
Length 4.10 feet		Pack: 1 piece	
h1/in.	h2/in.	Part No.	\$/pcs.
5/16	1 9/32	755-289-080-R	195.99
3/8	1 9/32	755-289-100-R	198.46
7/16	1 9/32	755-289-110-R	198.80
1/2	1 9/32	755-289-125-R	199.05

Left version		6.7	
stainless steel, satin			
Length 6.7 feet		Pack: 1 piece	
h1/in.	h2/in.	Part No.	\$/pcs.
3/8	1 9/16	844-289-100-L	325.91
7/16	1 9/16	844-289-110-L	327.46
1/2	1 9/16	844-289-125-L	329.40

Right version		6.7	
stainless steel, satin			
Length 6.7 feet		Pack: 1 piece	
h1/in.	h2/in.	Part No.	\$/pcs.
3/8	1 9/16	844-289-100-R	325.91
7/16	1 9/16	844-289-110-R	327.46
1/2	1 9/16	844-289-125-R	329.40

Left version		3.215	
stainless steel, chrome-plated			
Length 3.215 feet		Pack: 1 piece	
h1/in.	h2/in.	Part No.	\$/pcs.
5/16	15/16	754-2840-080-L	134.37
3/8	15/16	754-2840-100-L	136.74
7/16	15/16	754-2840-110-L	137.72
1/2	15/16	754-2840-125-L	138.71

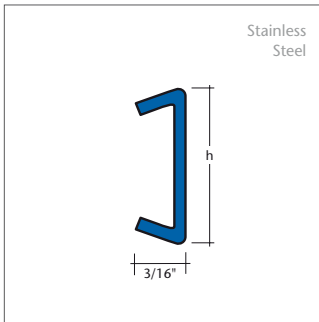
Right version		3.215	
stainless steel, chrome-plated			
Length 3.215 feet		Pack: 1 piece	
h1/in.	h2/in.	Part No.	\$/pcs.
5/16	15/16	754-2840-080-R	134.37
3/8	15/16	754-2840-100-R	136.74
7/16	15/16	754-2840-110-R	137.72
1/2	15/16	754-2840-125-R	138.71

Left version		4.10	
stainless steel, chrome-plated			
Length 4.10 feet		Pack: 1 piece	
h1/in.	h2/in.	Part No.	\$/pcs.
5/16	1 9/32	755-2840-080-L	212.99
3/8	1 9/32	755-2840-100-L	214.96
7/16	1 9/32	755-2840-110-L	216.34
1/2	1 9/32	755-2840-125-L	217.92

Right version		4.10	
stainless steel, chrome-plated			
Length 4.10 feet		Pack: 1 piece	
h1/in.	h2/in.	Part No.	\$/pcs.
5/16	1 9/32	755-2840-080-R	212.99
3/8	1 9/32	755-2840-100-R	214.96
7/16	1 9/32	755-2840-110-R	216.34
1/2	1 9/32	755-2840-125-R	217.92

Left version		6.7	
stainless steel, chrome-plated			
Length 6.7 feet		Pack: 1 piece	
h1/in.	h2/in.	Part No.	\$/pcs.
3/8	1 9/16	844-2840-100-L	350.32
7/16	1 9/16	844-2840-110-L	352.29
1/2	1 9/16	844-2840-125-L	354.26

Right version		6.7	
stainless steel, chrome-plated			
Length 6.7 feet		Pack: 1 piece	
h1/in.	h2/in.	Part No.	\$/pcs.
3/8	1 9/16	844-2840-100-R	350.32
7/16	1 9/16	844-2840-110-R	352.29
1/2	1 9/16	844-2840-125-R	354.26



Blanke•AQUA-DECO

Blanke•AQUA-DECO is a sleek profile which is installed above a linear drain. This unique profile eliminates angled cuts of tile and creates the perfect finish for linear shower drains in combination with the Blanke•AQUA-KEIL, Blanke•AQUA-KEIL GLASS or Blanke•AQUA-KEIL WALL.



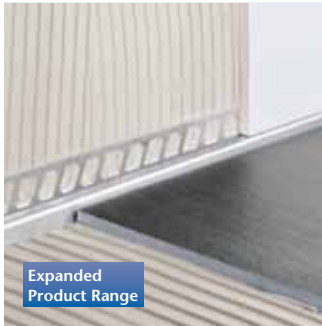
Stainless Steel		4.0	
brushed			
Length 4.0 feet		Pack: 1 piece	
h/in.	Part No.	\$/pcs.	
15/16	622-280B-24125	77.31	
1 1/4	622-280B-32125	84.11	
1 9/16	622-280B-40125	90.90	

Stainless Steel		4.0	
satin			
Length 4.0 feet		Pack: 1 piece	
h/in.	Part No.	\$/pcs.	
15/16	622-289-24125	85.05	
1 1/4	622-289-32125	92.51	
1 9/16	622-289-40125	99.96	

Stainless Steel		4.0	
chrome-plated			
Length 4.0 feet		Pack: 1 piece	
h/in.	Part No.	\$/pcs.	
15/16	622-2840-24125	90.45	
1 1/4	622-2840-32125	100.09	
1 9/16	622-2840-40125	109.99	

Advantages:

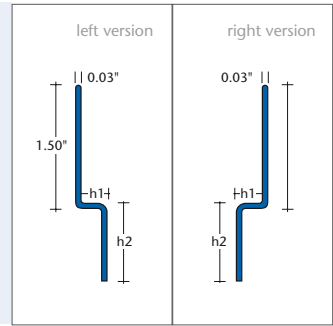
- Elegant finish for floor-level showers
- Provides a sleek, seamless, contemporary appearance of floor-level showers
- Avoids oblique cuts of tiles



Expanded Product Range

Blanke•AQUA-KEIL WALL

Blanke•AQUA-KEIL WALL, the sloped (2%) edge profile constructed from easy to maintain stainless steel, provides the perfect solution to connect straight cut tiled shower walls to sloped shower floors where linear drains are installed.



Advantages:

- Easy to install – slope of 2% included
- Other slopes can be realized by using different heights of tiles
- Oblique cuts of tiles are not necessary
- Versions for left and right transition are available

Left version		3.215	
stainless steel, brushed			
Length 3.215 feet		Pack: 1 piece	
h1/in.	h2/in.	Part No.	\$/pcs.
5/16	15/16	845-280B-080-L	114.13
3/8	15/16	845-280B-100-L	115.54
7/16	15/16	845-280B-110-L	116.25
1/2	15/16	845-280B-125-L	116.93

Right version		3.215	
stainless steel, brushed			
Length 3.215 feet		Pack: 1 piece	
h1/in.	h2/in.	Part No.	\$/pcs.
5/16	15/16	845-280B-080-R	114.13
3/8	15/16	845-280B-100-R	115.54
7/16	15/16	845-280B-110-R	116.25
1/2	15/16	845-280B-125-R	116.93

Left version		4.10	
stainless steel, brushed			
Length 4.10 feet		Pack: 1 piece	
h1/in.	h2/in.	Part No.	\$/pcs.
5/16	1 9/32	846-280B-080-L	178.17
3/8	1 9/32	846-280B-100-L	179.56
7/16	1 9/32	846-280B-110-L	180.09
1/2	1 9/32	846-280B-125-L	180.97

Right version		4.10	
stainless steel, brushed			
Length 4.10 feet		Pack: 1 piece	
h1/in.	h2/in.	Part No.	\$/pcs.
5/16	1 9/32	846-280B-080-R	178.17
3/8	1 9/32	846-280B-100-R	179.56
7/16	1 9/32	846-280B-110-R	180.09
1/2	1 9/32	846-280B-125-R	180.97

Left version		6.7	
stainless steel, brushed			
Length 6.7 feet		Pack: 1 piece	
h1/in.	h2/in.	Part No.	\$/pcs.
5/16	1 9/16	840-280B-080-L	228.18
3/8	1 9/16	840-280B-100-L	233.03
7/16	1 9/16	840-280B-110-L	235.65
1/2	1 9/16	840-280B-125-L	237.89

Right version		6.7	
stainless steel, brushed			
Length 6.7 feet		Pack: 1 piece	
h1/in.	h2/in.	Part No.	\$/pcs.
5/16	1 9/16	840-280B-080-R	228.18
3/8	1 9/16	840-280B-100-R	233.03
7/16	1 9/16	840-280B-110-R	235.65
1/2	1 9/16	840-280B-125-R	237.89

Left version		3.215	
stainless steel, satin			
Length 3.215 feet		Pack: 1 piece	
h1/in.	h2/in.	Part No.	\$/pcs.
5/16	15/16	845-289-080-L	125.55
3/8	15/16	845-289-100-L	127.07
7/16	15/16	845-289-110-L	127.68
1/2	15/16	845-289-125-L	128.61

Right version		3.215	
stainless steel, satin			
Length 3.215 feet		Pack: 1 piece	
h1/in.	h2/in.	Part No.	\$/pcs.
5/16	15/16	845-289-080-R	125.55
3/8	15/16	845-289-100-R	127.07
7/16	15/16	845-289-110-R	127.68
1/2	15/16	845-289-125-R	128.61

Left version		4.10	
stainless steel, satin			
Length 4.10 feet		Pack: 1 piece	
h1/in.	h2/in.	Part No.	\$/pcs.
5/16	1 9/32	846-289-080-L	195.99
3/8	1 9/32	846-289-100-L	198.46
7/16	1 9/32	846-289-110-L	198.80
1/2	1 9/32	846-289-125-L	199.05

Right version		4.10	
stainless steel, satin			
Length 4.10 feet		Pack: 1 piece	
h1/in.	h2/in.	Part No.	\$/pcs.
5/16	1 9/32	846-289-080-R	195.99
3/8	1 9/32	846-289-100-R	198.46
7/16	1 9/32	846-289-110-R	198.80
1/2	1 9/32	846-289-125-R	199.05

Left version		6.7	
stainless steel, satin			
Length 6.7 feet		Pack: 1 piece	
h1/in.	h2/in.	Part No.	\$/pcs.
5/16	1 9/16	840-289-080-L	247.59
3/8	1 9/16	840-289-100-L	252.45
7/16	1 9/16	840-289-110-L	254.96
1/2	1 9/16	840-289-125-L	257.30

Right version		6.7	
stainless steel, satin			
Length 6.7 feet		Pack: 1 piece	
h1/in.	h2/in.	Part No.	\$/pcs.
5/16	1 9/16	840-289-080-R	247.59
3/8	1 9/16	840-289-100-R	252.45
7/16	1 9/16	840-289-110-R	254.96
1/2	1 9/16	840-289-125-R	257.30

Left version		3.215	
stainless steel, chrome-plated			
Length 3.215 feet		Pack: 1 piece	
h1/in.	h2/in.	Part No.	\$/pcs.
5/16	1 5/16	845-2840-080-L	135.16
3/8	1 5/16	845-2840-100-L	137.13
7/16	1 5/16	845-2840-110-L	138.12
1/2	1 5/16	845-2840-125-L	139.30

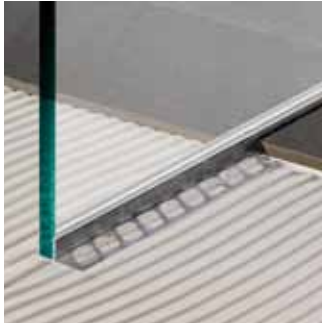
Right version		3.215	
stainless steel, chrome-plated			
Length 3.215 feet		Pack: 1 piece	
h1/in.	h2/in.	Part No.	\$/pcs.
5/16	1 5/16	845-2840-080-R	135.16
3/8	1 5/16	845-2840-100-R	137.13
7/16	1 5/16	845-2840-110-R	138.12
1/2	1 5/16	845-2840-125-R	139.30

Left version		4.10	
stainless steel, chrome-plated			
Length 4.10 feet		Pack: 1 piece	
h1/in.	h2/in.	Part No.	\$/pcs.
5/16	1 9/32	846-2840-080-L	213.19
3/8	1 9/32	846-2840-100-L	215.94
7/16	1 9/32	846-2840-110-L	217.13
1/2	1 9/32	846-2840-125-L	218.11

Right version		4.10	
stainless steel, chrome-plated			
Length 4.10 feet		Pack: 1 piece	
h1/in.	h2/in.	Part No.	\$/pcs.
5/16	1 9/32	846-2840-080-R	213.19
3/8	1 9/32	846-2840-100-R	215.94
7/16	1 9/32	846-2840-110-R	217.13
1/2	1 9/32	846-2840-125-R	218.11

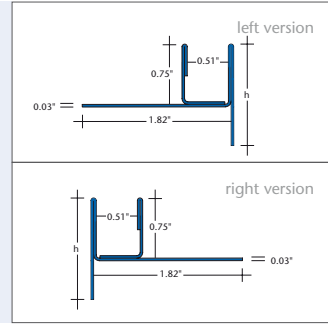
Left version		6.7	
stainless steel, chrome-plated			
Length 6.7 feet		Pack: 1 piece	
h1/in.	h2/in.	Part No.	\$/pcs.
5/16	1 9/16	840-2840-080-L	282.54
3/8	1 9/16	840-2840-100-L	288.65
7/16	1 9/16	840-2840-110-L	291.60
1/2	1 9/16	840-2840-125-L	295.15

Right version		6.7	
stainless steel, chrome-plated			
Length 6.7 feet		Pack: 1 piece	
h1/in.	h2/in.	Part No.	\$/pcs.
5/16	1 9/16	840-2840-080-R	282.54
3/8	1 9/16	840-2840-100-R	288.65
7/16	1 9/16	840-2840-110-R	291.60
1/2	1 9/16	840-2840-125-R	295.15



Blanke•AQUA-KEIL GLASS (Sloped Floor)

Blanke•AQUA KEIL-GLASS (Sloped Floor) is the perfect solution for transition from a sloped tiled shower floor to a level adjacent floor where a glass partition or wall is needed. It is particularly useful for showers with a constant pitch down to a linear drain. Left and right versions are available.



	Left version stainless steel, brushed	3.215
Length 3.215 feet		Pack: 1 piece
h/in.	Part No.	\$/pcs.
1 ¹¹ / ₃₂	193-280B-098-L	228.22

	Right version stainless steel, brushed	3.215
Length 3.215 feet		Pack: 1 piece
h/in.	Part No.	\$/pcs.
1 ¹¹ / ₃₂	193-280B-098-R	228.22

	Left version stainless steel, brushed	3.9
Length 3.9 feet		Pack: 1 piece
h/in.	Part No.	\$/pcs.
1 ²⁹ / ₆₄	193-280B-120-L	294.83

	Right version stainless steel, brushed	3.9
Length 3.9 feet		Pack: 1 piece
h/in.	Part No.	\$/pcs.
1 ²⁹ / ₆₄	193-280B-120-R	294.83

	Left version stainless steel, brushed	4.10
Length 4.10 feet		Pack: 1 piece
h/in.	Part No.	\$/pcs.
1 ²¹ / ₃₂	193-280B-148-L	318.36

	Right version stainless steel, brushed	4.10
Length 4.10 feet		Pack: 1 piece
h/in.	Part No.	\$/pcs.
1 ²¹ / ₃₂	193-280B-148-R	318.36

	Left version stainless steel, brushed	6.7
Length 6.7 feet		Pack: 1 piece
h/in.	Part No.	\$/pcs.
2 ²³ / ₆₄	193-280B-200-L	485.75

	Right version stainless steel, brushed	6.7
Length 6.7 feet		Pack: 1 piece
h/in.	Part No.	\$/pcs.
2 ²³ / ₆₄	193-280B-200-R	485.75

	Left version stainless steel, satin	3.215
Length 3.215 feet		Pack: 1 piece
h/in.	Part No.	\$/pcs.
1 ¹¹ / ₃₂	193-289-098-L	251.07

	Right version stainless steel, satin	3.215
Length 3.215 feet		Pack: 1 piece
h/in.	Part No.	\$/pcs.
1 ¹¹ / ₃₂	193-289-098-R	251.07

	Left version stainless steel, satin	3.9
Length 3.9 feet		Pack: 1 piece
h/in.	Part No.	\$/pcs.
1 ²⁹ / ₆₄	193-289-120-L	324.32

	Right version stainless steel, satin	3.9
Length 3.9 feet		Pack: 1 piece
h/in.	Part No.	\$/pcs.
1 ²⁹ / ₆₄	193-289-120-R	324.32

	Left version stainless steel, satin	4.10
Length 4.10 feet		Pack: 1 piece
h/in.	Part No.	\$/pcs.
1 ²¹ / ₃₂	193-289-148-L	350.17

	Right version stainless steel, satin	4.10
Length 4.10 feet		Pack: 1 piece
h/in.	Part No.	\$/pcs.
1 ²¹ / ₃₂	193-289-148-R	350.17

	Left version stainless steel, satin	6.7
Length 6.7 feet		Pack: 1 piece
h/in.	Part No.	\$/pcs.
2 ²³ / ₆₄	193-289-200-L	534.37

	Right version stainless steel, satin	6.7
Length 6.7 feet		Pack: 1 piece
h/in.	Part No.	\$/pcs.
2 ²³ / ₆₄	193-289-200-R	534.37

	Left version stainless steel, chrome-plated	3.215
Length 3.215 feet		Pack: 1 piece
h/in.	Part No.	\$/pcs.
1 ¹¹ / ₃₂	193-2840-098-L	253.33

	Right version stainless steel, chrome-plated	3.215
Length 3.215 feet		Pack: 1 piece
h/in.	Part No.	\$/pcs.
1 ¹¹ / ₃₂	193-2840-098-R	253.33

	Left version stainless steel, chrome-plated	3.9
Length 3.9 feet		Pack: 1 piece
h/in.	Part No.	\$/pcs.
1 ²⁹ / ₆₄	193-2840-120-L	327.26

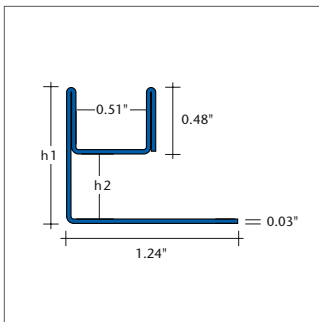
	Right version stainless steel, chrome-plated	3.9
Length 3.9 feet		Pack: 1 piece
h/in.	Part No.	\$/pcs.
1 ²⁹ / ₆₄	193-2840-120-R	327.26

	Left version stainless steel, chrome-plated	4.10
Length 4.10 feet		Pack: 1 piece
h/in.	Part No.	\$/pcs.
1 ²¹ / ₃₂	193-2840-148-L	353.38

	Right version stainless steel, chrome-plated	4.10
Length 4.10 feet		Pack: 1 piece
h/in.	Part No.	\$/pcs.
1 ²¹ / ₃₂	193-2840-148-R	353.38

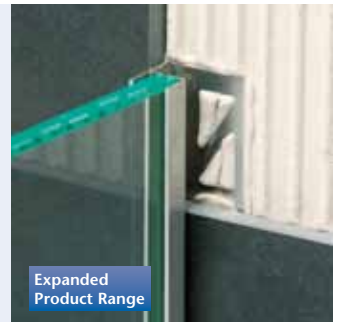
	Left version stainless steel, chrome-plated	6.7
Length 6.7 feet		Pack: 1 piece
h/in.	Part No.	\$/pcs.
2 ²³ / ₆₄	193-2840-200-L	539.19

	Right version stainless steel, chrome-plated	6.7
Length 6.7 feet		Pack: 1 piece
h/in.	Part No.	\$/pcs.
2 ²³ / ₆₄	193-2840-200-R	539.19



Blanke•AQUA-GLASS (Wall and Floor)

Blanke•AQUA-GLASS (Wall and Floor), made from durable, maintenance free, stainless steel, is designed to securely hold glass partitions to tiled walls and level floors without having to drill into the wall or otherwise compromise the waterproofing layer under the tile. The Blanke•AQUA GLASS can be combined with the Blanke•AQUA KEIL and Blanke•AQUA-DECO products for a professionally finished and esthetically pleasing installation.



Expanded Product Range

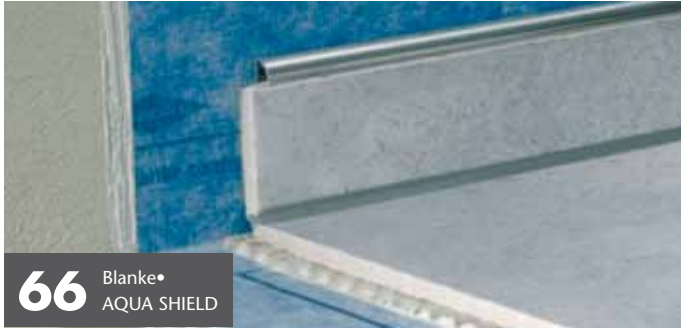
	Stainless Steel brushed	6.9	
Length 6.9 feet		Pack: 1 piece	
h2/in.	h2/in.	Part No.	\$/pcs.
1	1 ⁵ / ₃₂	204-280B-210	490.24

	Stainless Steel satin	6.9	
Length 6.9 feet		Pack: 1 piece	
h2/in.	h2/in.	Part No.	\$/pcs.
1	1 ⁵ / ₃₂	204-289-210	538.18

	Stainless Steel chrome-plated	6.9	
Length 6.9 feet		Pack: 1 piece	
h2/in.	h2/in.	Part No.	\$/pcs.
1	1 ⁵ / ₃₂	204-2840-210	559.71

Advantages:

- Easy installation without having to cut tiles. Install the Blanke•AQUA-GLASS in the joint between the tile for a secure connection.
- Install with thinset. No need to mechanically fix to the substrate and compromise the waterproofing layer.
- Can be installed both on walls and on level floors.



Picture source: Steuler Design





Picture source: Steuler Design

WATERPROOFING SYSTEMS



Blanke•AQUA SHIELD

Blanke•AQUA SHIELD is a waterproofing membrane that can be applied with thinset to most surfaces that are dry, flat and structurally sound. Blanke•AQUA SHIELD provides a vapor barrier that makes it ideal for steam rooms. The high tensile strength of Blanke•AQUA SHIELD ensures long lasting protection from moisture penetration in continuous wet areas such as shower stalls and bathrooms. In addition to waterproofing, Blanke•AQUA SHIELD's German-engineered blend of fibers also provide exceptional resistance to mold build-up; break-down from strong chemicals; and UV destabilization. A wide range of convenient accessories is available such as Blanke•AQUA FLEX for taping movement joints; Blanke•AQUA SA, a self-adhesive tape for quick and convenient taping of seams; and preformed corners.

Advantages:

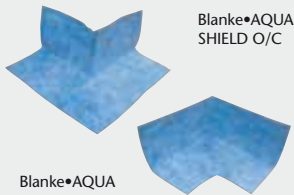
- Excellent waterproofing fabric for sealing substrates under ceramic tile and stone backed up by a long history of success
- No waiting to install tile
- Consistent and reliable waterproofing of seams
- Thickness of fabric always constant
- Crack isolation and uncoupling properties

Expert's tip:

For fast, efficient gluing, use the universal waterproofing adhesive Blanke•AQUA SEAL and Blanke•AQUA SEAL EZA (see page 87).



Blanke•AQUA SHIELD 20



Blanke•AQUA SHIELD O/C

Blanke•AQUA SHIELD I/C



Blanke•AQUA FLEX 12

Blanke•AQUA SHIELD 100

1 roll = 323 sq. ft.		Pack: 1 roll
Width/Length	Part No.	\$/roll
3.28'x 98.4'	511-905-1000	632.96

Blanke•AQUA SHIELD 12.5/15/20

		Pack: 1 roll
Width/Length	Part No.	\$/roll
5.00" x 98.4'	511-905-125	103.37
6.00" x 98.4'	511-905-150	159.18
7.87" x 98.4'	511-905-200	166.59

Blanke•AQUA SHIELD 12.5 O/C

		Pack: 10 pieces
w/in.	Part No.	\$/piece
4.00	517-900	12.15

Blanke•AQUA SHIELD 12.5 I/C

		Pack: 10 pieces
w/in.	Part No.	\$/piece
4.00	516-900	12.15

Blanke•AQUA FLEX 20

		Pack: 1 roll
Width/Length	Part No.	\$/roll
7.87" x 98.4'	520-900-200	483.07

Blanke•AQUA FLEX 12

		Pack: 1 roll
Width/Length	Part No.	\$/roll
4.70" x 98.4'	520-900-120	270.15

Blanke•AQUA SHIELD FLEX 12 O/C

		Pack: 5 pieces
w/in.	Part No.	\$/roll
4.00	586-900	22.76

Blanke•AQUA SHIELD FLEX 12 I/C

		Pack: 5 pieces
w/in.	Part No.	\$/piece
4.00	585-900	22.76

Blanke•AQUA SA 10

		Pack: 1 roll
Width/Length	Part No.	\$/roll
4.00"x 98.4'	533-900	364.12

Blanke•AQUA SA 15

		Pack: 1 roll
Width/Length	Part No.	\$/roll
6.00"x 98.4'	534-900	380.28

Blanke•AQUA SHIELD LP

Ø Diameter of hole = 6 9/14"		Pack: 3 pieces
Width/Length	Part No.	\$/piece
17 2/3"x 17 2/3"	519-900	24.34

Blanke•AQUA SHIELD SP

Ø Diameter of hole = 1 3/15"		Pack: 10 pieces
Width/Length	Part No.	\$/piece
4.00"x 4.00"	518-900	1.86

Blanke•AQUA SHIELD Deep Drain Collar

		Pack: 1 piece
Ø Diameter	Part No.	\$/piece
3/4"	570-900-104	20.56
1 1/2"	570-900-106	21.63

Blanke•AQUA SHIELD SET

Blanke•AQUA SHIELD SET includes all products needed to water proof a standard size shower or bath tub area in one convenient, economical package. Once the AQUA SHIELD is applied to the substrate with thinset, the area can immediately be tiled.

A set consists of: Roll AQUA SHIELD 100 (33"), AQUA FLEX 12 (50"),
2 x AQUA SHIELD I/C (inside corners), 2x AQUA SHIELD SP,
1x AQUA Seal, 1x AQUA Seal EZA

Blanke•AQUA SHIELD SET

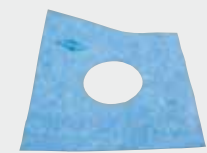
1 Set		Pack: Set
Part No.		\$/Set
998-900		413.76



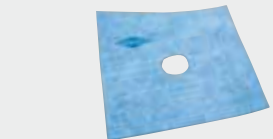
Blanke•AQUA SA 10



Blanke•AQUA SHIELD FLEX 12 I/C



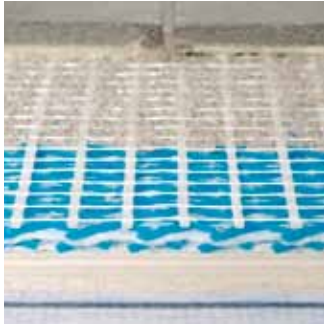
Blanke•AQUA SHIELD LP



Blanke•AQUA SHIELD SP

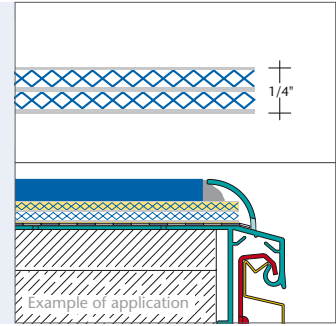


- 1** Roll AQUA SHIELD 100 (33")
- 2** AQUA FLEX 12 (50")
- 3** 2x AQUA SHIELD I/C
- 4** 2x AQUA SHIELD SP
- 5** 1x AQUA Seal
- 6** 1x AQUA Seal EZA



Blanke•ULTRA-DRAIN

The Blanke•ULTRA-DRAIN is the first drain mat system that can be installed without a thick mortar bed and offers all the stress absorption properties of an uncoupling system. The superior drainage properties prevent freeze/thaw damage caused by the accumulation of moisture in exterior tile installations and help reduce unsightly efflorescence. Although only 1/4" thick, it provides superior compressive and tensile strength when compared to other drain mats and uncoupling systems.



Important note:

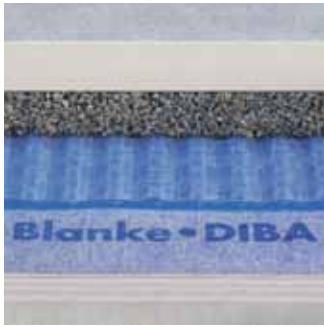
Particularly suitable for exterior use

Advantages:

- Prevents freeze/thaw damage and efflorescence
- Provides superior compressive and tensile strength
- Provides crack isolation properties

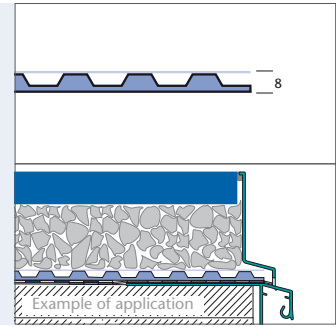
Blanke•ULTRA-DRAIN

1 sheet = 6.5 sq. ft.		Pack: 1 carton
Width/Length	Part No.	\$/carton
2' x 3.2'	528-904	699.50



Blanke•DRAIN-Mat

The Blanke•DRAIN-Mat provides a durable, prefabricated drain system to prevent the accumulation of moisture that can form hydrostatic pressure and damage floors. Moisture is allowed to seep down through water permeable fabric on top into channels formed between pillars in the system's high load bearing PVC base. The water drains by natural gravitational force to designated outlets. It reduces the potential for damage caused by water expansion in freeze/thaw conditions.



Important note:

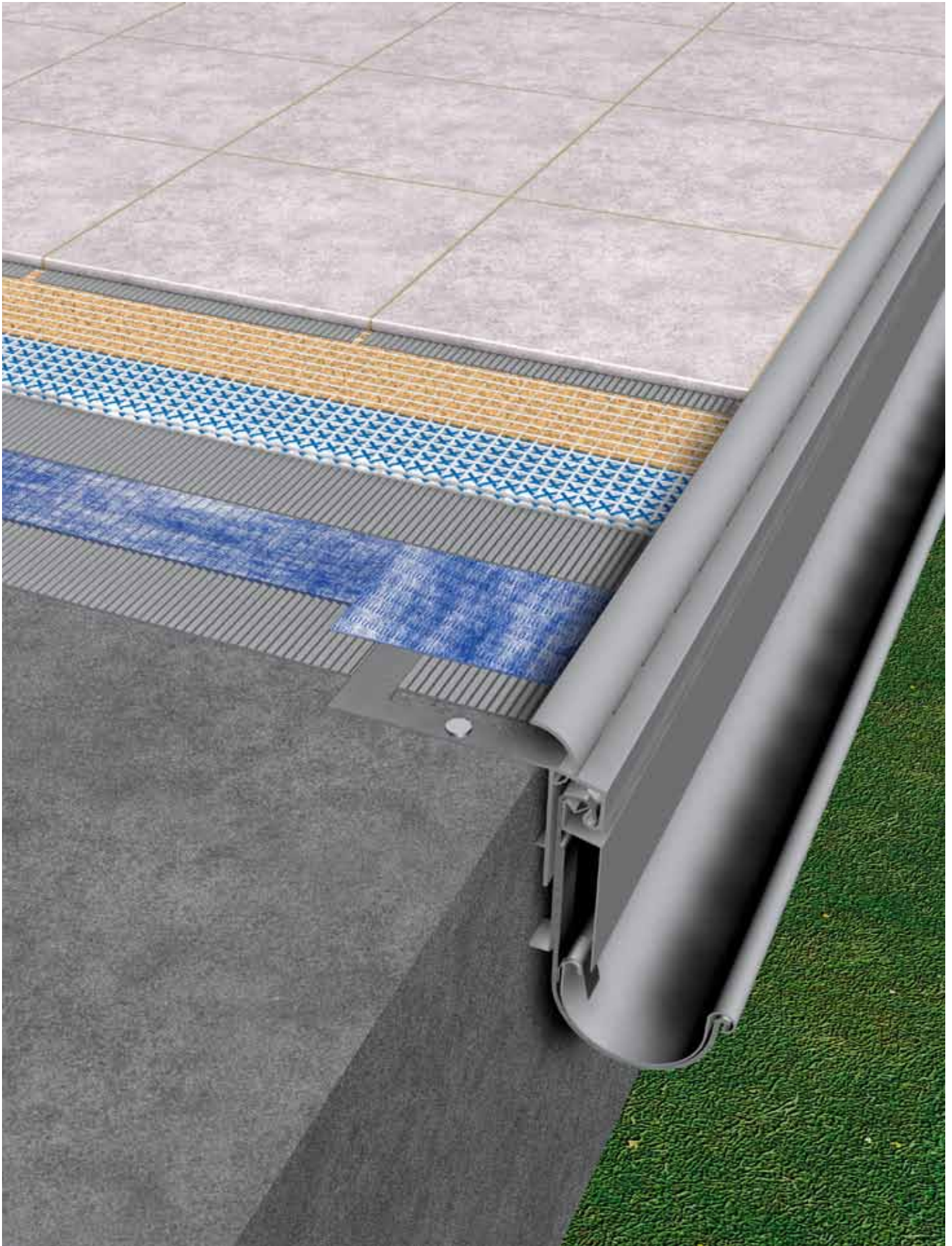
Particularly suitable for exterior use

Advantages:

- Fast constant drainage
- Heat stable up to 176°F
- Durable plastic construction prevents deterioration under tile installation
- Smooth plastic underside and lack of mechanical fasteners will not damage substrate waterproofing
- Superior compressive strength up to 4,102 lb/sq. ft.

Blanke•DRAIN-Mat

9 rolls = 1 pallet		Pack: 1 roll
Width /Length	Part No.	\$/roll
3.28' x 49.25'	524-900	307.31





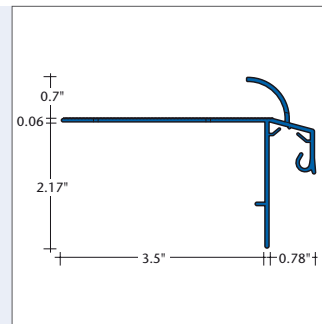


BALCONY AND TERRACE PROFILES



Blanke•BALCONY-Gutter Quarter Circle Trim

This balcony trim is designed to protect the edge of the tile installed over our underlayment, and to cover the edge of the exposed balcony/terrace substrate. The profile features an overhang extension deflecting water running off the tile installation from the balcony substrate. This extension can also hold additional components of the Blanke•BALCONY system including the gutter holder and gutter shield. Drainage holes allow for run-off of moisture collected by the drain mat system.



	Aluminum grey	8.0
Length 8.0 feet		Pack: 1 piece
h/in.	Part No.	\$/pcs.
0.70	430-4591-180	178.06

	Aluminum old copper brown	8.0
Length 8.0 feet		Pack: 1 piece
h/in.	Part No.	\$/pcs.
0.70	430-4581-180	178.06

	Aluminum stainless steel metallic	8.0
Length 8.0 feet		Pack: 1 piece
h/in.	Part No.	\$/pcs.
0.70	430-4502-180	183.40

Joiner

	Aluminum grey	8.0
Height 0.70"		Pack: 5 pieces
h/in.	Part No.	\$/pcs.
0.70	432-4591-180	46.58

	Aluminum old copper brown	8.0
Height 0.70"		Pack: 5 pieces
h/in.	Part No.	\$/pcs.
0.70	432-4581-180	46.58

	Aluminum stainless steel metallic	8.0
Height 0.70"		Pack: 5 pieces
h/in.	Part No.	\$/pcs.
0.70	432-4502-180	47.99

Outer Corner Joiner 90°, Outer dimension 9 1/2" x 9 1/2"

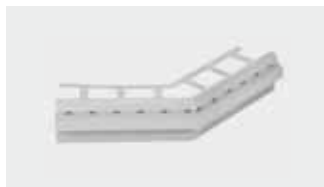


	Aluminum grey	90°
Height 0.70"		Pack: 1 piece
Part No.	\$/pcs.	
433-4591-180090	88.89	

	Aluminum old copper brown	90°
Height 0.70"		Pack: 1 piece
Part No.	\$/pcs.	
433-4581-180090	88.89	

	Aluminum stainless steel metallic	90°
Height 0.70"		Pack: 1 piece
Part No.	\$/pcs.	
433-4502-180090	91.56	

Outer Corner Joiner 135°, Outer dimension 9 1/2" x 9 1/2"



	Aluminum grey	135°
Height 0.70"		Pack: 1 piece
h/in.	Part No.	\$/pcs.
2.51	433-4591-180135	104.52

	Aluminum old copper brown	135°
Height 0.70"		Pack: 1 piece
h/in.	Part No.	\$/pcs.
2.51	433-4581-180135	104.52

	Aluminum stainless steel metallic	135°
Height 0.70"		Pack: 1 piece
h/in.	Part No.	\$/pcs.
2.51	433-4502-180135	107.66

Inner Corner Joiner 90°, Outer dimension 5 1/8" x 5 1/8"

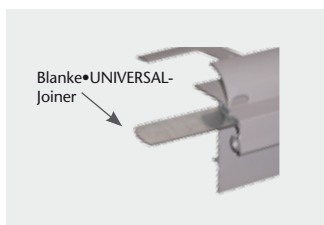


	Aluminum grey	90°
Height 0.70"		Pack: 1 piece
h/in.	Part No.	\$/pcs.
2.51	649-4591-180090	104.52

	Aluminum old copper brown	90°
Height 0.70"		Pack: 1 piece
h/in.	Part No.	\$/pcs.
2.51	649-4581-180090	104.52

	Aluminum stainless steel metallic	90°
Height 0.70"		Pack: 1 piece
h/in.	Part No.	\$/pcs.
2.51	649-4502-180090	107.66

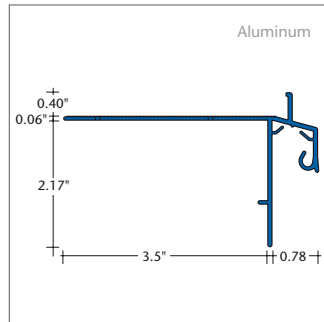
Blanke•UNIVERSAL-Joiner



	Metal zinc plated	8.0
Height 0.031"		Pack: 10 pieces
Length/Width	Part No.	\$/pcs.
2.51" x 0.62"	436-110	14.53

Profile Screw Set

Screws with wall plugs	
	Pack: 5 pcs.
Part No.	\$/pack
590-900	3.32

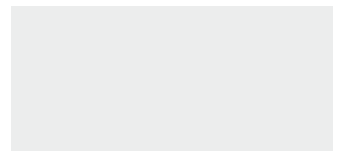


Blanke•BALCONY-Gutter Edge Protector

This balcony trim is designed to protect the edge of the balcony substrate and the edge of tile installed over the Blanke•AQUA SHIELD waterproofing fabric. This balcony edge features an overhang extension deflecting water running off the tile installation from the balcony substrate. Accessories such as joiners are available.

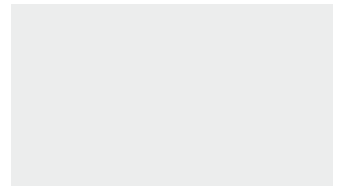


Aluminum medium grey		8.0
Length 8.0 feet		Pack: 1 piece
h/in.	Part No.	\$/pcs.
0.40	445-4591-105	167.16



Joiner

Aluminum medium grey		8.0
Height 0.40"		Pack: 5 pieces
h/in.	Part No.	\$/pcs.
1.57	437-4591-105	46.51



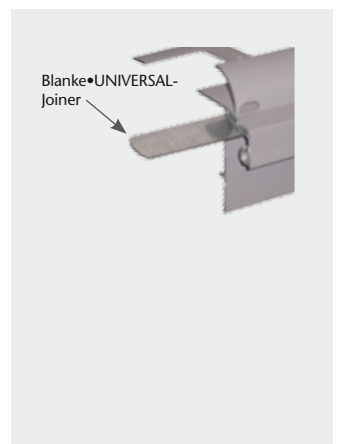
Outer Corner Joiner 90°, Outer dimension 9 1/2" x 9 1/2"

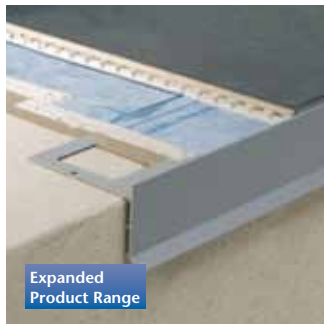
Aluminum medium grey		90°
Height 0.40"		Pack: 1 piece
Part No.		\$/pcs.
446-4591-105090		88.93



Blanke•UNIVERSAL-Joiner

Metal zinc plated		8.0
Height 0.031"		Pack: 10 pieces
Length/Width	Part No.	\$/pcs.
2.51" x 0.62"	436-110	14.53

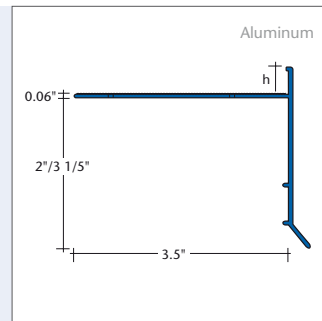




Expanded Product Range

Blanke•BALCONY-Edge Protector Pro

The Blanke•BALCONY-Edge Protector PRO is designed to protect the edge of the balcony substrate and the edge of tile installed over the Blanke•AQUA SHIELD water proofing fabric. This balcony edge features a drain lip that helps deflect water from the balcony substrate. Accessories such as connecting and corner joiners are available for ease of installation.



Aluminum		8.0
grey		
h to be covered 2"		Pack: 1 piece
h/in.	Part No.	\$/pcs.
5/16	406-4591-085	139.48
3/8	406-4591-105	139.48

Aluminum		8.0
grey		
h to be covered 3 1/8"		Pack: 1 piece
h/in.	Part No.	\$/pcs.
3/8	592-4591-105	145.85
1/2	592-4591-125	153.14

Aluminum		8.0
old copper brown		
h to be covered 2"		Pack: 1 piece
h/in.	Part No.	\$/pcs.
3/8	406-4581-105	139.48

Aluminum		8.0
old copper brown		
h to be covered 3 1/8"		Pack: 1 piece
h/in.	Part No.	\$/pcs.
3/8	592-4581-105	145.85
1/2	592-4581-125	153.14

Aluminum		8.0
stainless steel metallic		
h to be covered 2"		Pack: 1 piece
h/in.	Part No.	\$/pcs.
3/8	406-4502-105	143.67

Aluminum		8.0
stainless steel metallic		
h to be covered 3 1/8"		Pack: 1 piece
h/in.	Part No.	\$/pcs.
3/8	592-4502-105	150.23
1/2	592-4502-125	157.18

Joiner

Aluminum		
grey		
h to be covered 2"		Pack: 1 piece
h/in.	Part No.	\$/pcs.
5/16	407-4591-085	46.51
3/8	407-4591-105	46.51

Aluminum		
grey		
h to be covered 3 1/8"		Pack: 1 piece
h/in.	Part No.	\$/pcs.
3/8	594-4591-105	46.93
1/2	594-4591-125	46.93

Aluminum		
old copper brown		
h to be covered 2"		Pack: 1 piece
h/in.	Part No.	\$/pcs.
3/8	407-4581-105	46.51

Aluminum		
old copper brown		
h to be covered 3 1/8"		Pack: 1 piece
h/in.	Part No.	\$/pcs.
3/8	594-4581-105	46.93
1/2	594-4581-125	46.93

Aluminum		
stainless steel metallic		
h to be covered 2"		Pack: 1 piece
h/in.	Part No.	\$/pcs.
3/8	407-4502-105	47.91

Aluminum		
stainless steel metallic		
h to be covered 3 1/8"		Pack: 1 piece
h/in.	Part No.	\$/pcs.
3/8	594-4502-105	48.33
1/2	594-4502-125	48.33

Outer Corner Joiner 90°, Outer dimension 9 1/2" x 9 1/2"

Aluminum 90° grey		
h to be covered 2" Pack: 1 piece		
h/in.	Part No.	\$/pcs.
5/16	447-4591-085090	84.69
3/8	447-4591-105090	84.69

Aluminum 90° grey		
h to be covered 3 1/5" Pack: 1 piece		
h/in.	Part No.	\$/pcs.
3/8	596-4591-105090	89.63
1/2	596-4591-125090	89.63

Aluminum 90° old copper brown		
h to be covered 2" Pack: 1 piece		
h/in.	Part No.	\$/pcs.
3/8	447-4581-105090	88.93

Aluminum 90° old copper brown		
h to be covered 3 1/5" Pack: 1 piece		
h/in.	Part No.	\$/pcs.
3/8	596-4581-105090	89.63
1/2	596-4581-125090	89.63

Aluminum 90° stainless steel metallic		
h to be covered 2" Pack: 1 piece		
h/in.	Part No.	\$/pcs.
3/8	447-4502-105090	91.60

Aluminum 90° stainless steel metallic		
h to be covered 3 1/5" Pack: 1 piece		
h/in.	Part No.	\$/pcs.
3/8	596-4502-105090	92.31
1/2	596-4502-125090	92.31



Outer Corner Joiner 135°, Outer dimension 9 1/2" x 9 1/2"

Aluminum 135° grey		
h to be covered 2" Pack: 1 piece		
h/in.	Part No.	\$/pcs.
3/8	447-4591-105135	104.51

Aluminum 135° grey		
h to be covered 3 1/5" Pack: 1 piece		
h/in.	Part No.	\$/pcs.
3/8	596-4591-105135	104.51
1/2	596-4591-125135	104.51

Aluminum 135° old copper brown		
h to be covered 2" Pack: 1 piece		
h/in.	Part No.	\$/pcs.
3/8	447-4581-105135	104.51

Aluminum 135° old copper brown		
h to be covered 3 1/5" Pack: 1 piece		
h/in.	Part No.	\$/pcs.
3/8	596-4581-105135	104.51
1/2	596-4581-125135	104.51

Aluminum 135° stainless steel metallic		
h to be covered 2" Pack: 1 piece		
h/in.	Part No.	\$/pcs.
3/8	447-4502-105135	107.64

Aluminum 135° stainless steel metallic		
h to be covered 3 1/5" Pack: 1 piece		
h/in.	Part No.	\$/pcs.
3/8	596-4502-105135	107.64
1/2	596-4502-125135	107.64



Inner Corner Joiner 90°, Outer dimension 5 9/10" x 5 9/10"

Aluminum 90° grey		
h to be covered 2" Pack: 1 piece		
h/in.	Part No.	\$/pcs.
3/8	645-4591-105090	104.51

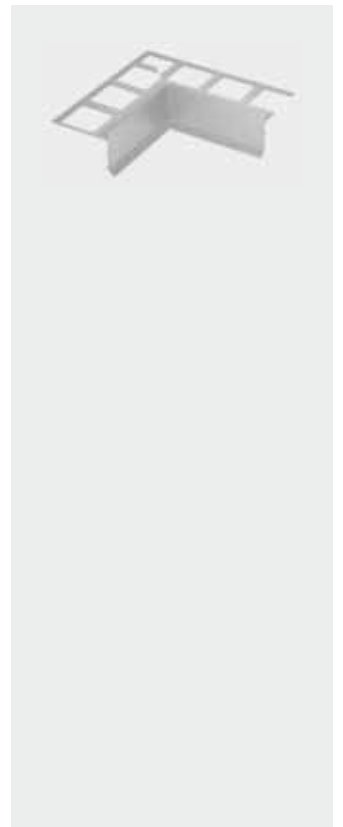
Aluminum 90° grey		
h to be covered 3 1/5" Pack: 1 piece		
h/in.	Part No.	\$/pcs.
3/8	648-4591-105090	104.51
1/2	648-4591-125090	104.51

Aluminum 90° old copper brown		
h to be covered 2" Pack: 1 piece		
h/in.	Part No.	\$/pcs.
3/8	645-4581-105090	104.51

Aluminum 90° old copper brown		
h to be covered 3 1/5" Pack: 1 piece		
h/in.	Part No.	\$/pcs.
3/8	648-4581-105090	104.51
1/2	648-4581-125090	104.51

Aluminum 90° stainless steel metallic		
h to be covered 2" Pack: 1 piece		
h/in.	Part No.	\$/pcs.
3/8	645-4502-105090	107.64

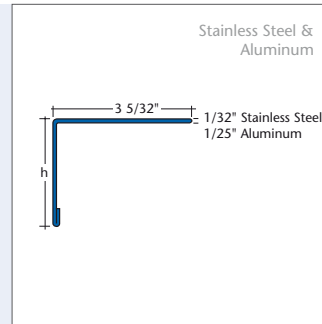
Aluminum 90° stainless steel metallic		
h to be covered 3 1/5" Pack: 1 piece		
h/in.	Part No.	\$/pcs.
3/8	648-4502-105090	107.64
1/2	648-4502-125090	107.64





Blanke•Edge Protector

The Blanke•Edge Protector provides an attractive cover for concrete balconies and terrace slabs. Straight and corner joiner pieces can be used to easily connect two Blanke•Edge Protector lengths.



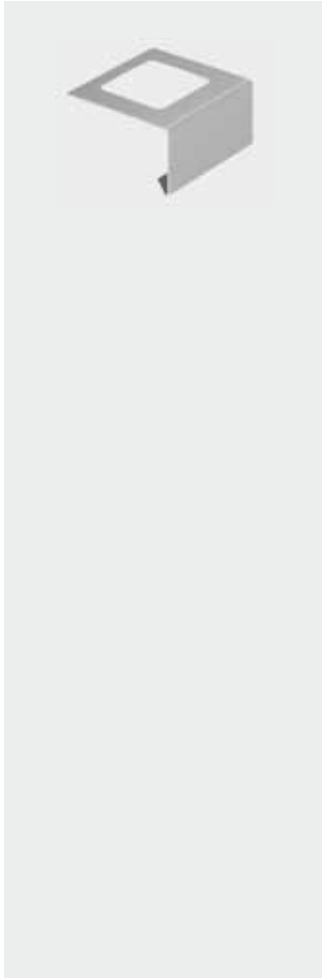
Aluminum		8.0
white coated		
Length 8.0 feet		Pack: 1 piece
h/in.	Part No.	\$/pcs.
2 3/8	341-450-06025	71.62
3 1/5	341-450-08025	76.96
4	341-450-10025	83.37

Aluminum		8.0
manhattan grey coated		
Length 8.0 feet		Pack: 1 piece
h/in.	Part No.	\$/pcs.
2 3/8	341-45919-06025	71.62
3 1/5	341-45919-08025	76.96
4	341-45919-10025	83.37

Aluminum		8.0
brown coated		
Length 8.0 feet		Pack: 1 piece
h/in.	Part No.	\$/pcs.
2 3/8	341-460-06025	71.62
3 1/5	341-460-08025	76.96
4	341-460-10025	83.37

Stainless Steel		8.0
Length 8.0 feet		Pack: 1 piece
h/in.	Part No.	\$/pcs.
2 3/8	341-280-06025	101.51
3 1/5	341-280-08025	114.37
4	341-280-10025	124.52

Joiner



Aluminum		8.0
white coated		
Length 3 1/5"		Pack: 1 piece
h/in.	Part No.	\$/pcs.
2 3/8	351-450-060	11.10
3 1/5	351-450-080	11.89
4	351-450-100	12.35
4 31/32	351-450-125	12.87

Aluminum		8.0
manhattan grey coated		
Length 3 1/5"		Pack: 1 piece
h/in.	Part No.	\$/pcs.
1 3/16	351-45919-040	11.10
2 3/8	351-45919-060	11.10
3 1/5	351-45919-080	11.89
4	351-45919-100	12.35
4 31/32	351-45919-125	12.87

Aluminum		8.0
brown coated		
Length 3 1/5"		Pack: 1 piece
h/in.	Part No.	\$/pcs.
2 3/8	351-460-060	11.10
3 1/5	351-460-080	11.89
4	351-460-100	12.35
4 31/32	351-460-125	12.87

Stainless Steel		8.0
Length 3 1/5"		Pack: 1 piece
h/in.	Part No.	\$/pcs.
1 3/16	351-280-040	16.57
2 3/8	351-280-060	16.57
3 1/5	351-280-080	17.43
4	351-280-100	18.31

Corner Joiner 90°

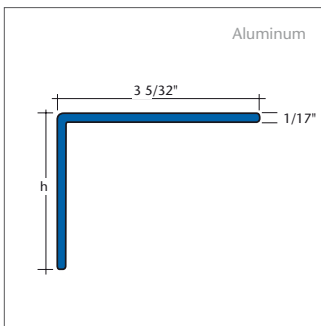
Aluminum white coated		
Length 3 1/5"		Pack: 1 piece
h/in.	Part No.	\$/pcs.
2 3/8	352-450-060	21.25
3 1/5	352-450-080	22.32
4	352-450-100	23.38
4 31/32	352-450-125	24.56

Aluminum manhattan grey coated		
Length 3 1/5"		Pack: 1 piece
h/in.	Part No.	\$/pcs.
1 3/16	352-45919-040	21.25
2 3/8	352-45919-060	21.25
3 1/5	352-45919-080	22.32
4	352-45919-100	23.38
4 31/32	352-45919-125	24.56

Aluminum brown coated		
Length 3 1/5"		Pack: 1 piece
h/in.	Part No.	\$/pcs.
2 3/8	352-460-060	21.25
3 1/5	352-460-080	22.32
4	352-460-100	23.38
4 31/32	352-460-125	24.56



Stainless Steel		
Length 3 1/5"		Pack: 1 piece
h/in.	Part No.	\$/pcs.
1 3/16	352-280-040	34.00
2 3/8	352-280-060	34.00
3 1/5	352-280-080	35.07
4	352-280-100	35.68


NEW Blanke•Edge Protector Plus

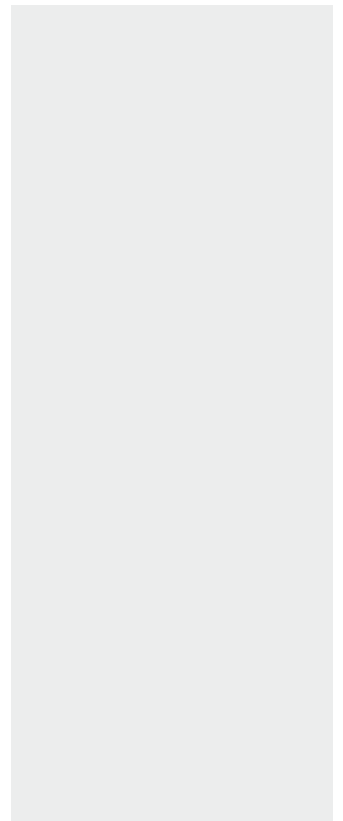
The Blanke•Edge Protector Plus facilitates quick and simple expansion in balcony renovations and when building balconies. Connectors and corners complete this fully developed system.



Aluminum brown coated			8.0
Length 8.0 feet		Pack: 1 piece	
h/in.	Part No.	\$/pcs.	
2 3/8	341-460P-08025	99.30	
3 1/5	341-460P-10025	108.96	
4	341-460P-12525	136.15	

Aluminum manhattan grey coated			8.0
Length 8.0 feet		Pack: 1 piece	
h/in.	Part No.	\$/pcs.	
2 3/8	341-45919P-08025	99.30	
3 1/5	341-45919P-10025	108.96	
4	341-45919P-12525	136.15	

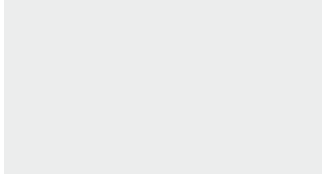
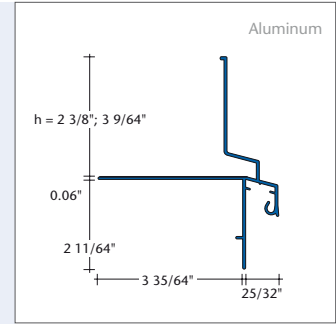
Aluminum white coated			8.0
Length 8.0 feet		Pack: 1 piece	
h/in.	Part No.	\$/pcs.	
2 3/8	341-450P-08025	99.30	
3 1/5	341-450P-10025	108.96	
4	341-450P-12525	136.15	





Blanke•BALCONY-Gravel Deck Edge Pro

The Blanke•BALCONY-Gravel Deck Edge Pro is a balcony profile for tile and stone with a slide-in opening designed for inserting a drain mat. It has weep holes for the optimal drainage of moisture on balconies and terraces. It is installed as a system with Blanke•DRAIN-Mat. The system is completed by joiners and seamwelded corners.

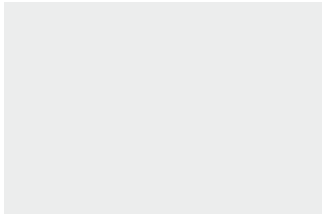


	Aluminum medium grey	8.0
Length 8.0 feet		Pack: 1 piece
h/in.	Part No.	\$/pcs.
2 3/8	575-4591-060	105.28
3 5/12	575-4591-080	108.72

	Aluminum old copper brown	8.0
Length 8.0 feet		Pack: 1 piece
h/in.	Part No.	\$/pcs.
2 3/8	575-4581-060	105.28
3 5/12	575-4581-080	108.72

	Aluminum stainless steel metallic	8.0
Length 8.0 feet		Pack: 1 piece
h/in.	Part No.	\$/pcs.
2 3/8	575-4502-060	108.39
3 5/12	575-4502-080	111.25

Joiner



	Aluminum medium grey	8.0
Length 1 37/64 feet		Pack: 5 pieces
h/in.	Part No.	\$/pcs.
2 3/8	577-4591-060	48.16
3 5/12	577-4591-080	48.45

	Aluminum old copper brown	8.0
Length 1 37/64 feet		Pack: 5 pieces
h/in.	Part No.	\$/pcs.
2 3/8	577-4581-060	48.16
3 5/12	577-4581-080	48.45

	Aluminum stainless steel metallic	8.0
Length 1 37/64 feet		Pack: 5 pieces
h/in.	Part No.	\$/pcs.
2 3/8	577-4502-060	49.59
3 5/12	577-4502-080	49.91

Corner Joiner 90°, outer dimension 9 29/64" x 9 29/64"



	Aluminum medium grey	90°
Pack: 1 piece		
h/in.	Part No.	\$/pcs.
2 3/8	578-4591-060090	118.65
3 5/12	578-4591-080090	120.14

	Aluminum old copper brown	90°
Pack: 1 piece		
h/in.	Part No.	\$/pcs.
2 3/8	578-4581-060090	118.65
3 5/12	578-4581-080090	120.14

	Aluminum stainless steel metallic	90°
Pack: 1 piece		
h/in.	Part No.	\$/pcs.
2 3/8	578-4502-060090	122.20
3 5/12	578-4502-080090	123.70

Corner Joiner 135°, outer dimension 9 29/64" x 9 29/64"



	Aluminum medium grey	135°
Pack: 1 piece		
h/in.	Part No.	\$/pcs.
2 3/8	578-4591-060135	142.34
3 5/12	578-4591-080135	144.14

	Aluminum old copper brown	135°
Pack: 1 piece		
h/in.	Part No.	\$/pcs.
2 3/8	578-4581-060135	142.34
3 5/12	578-4581-080135	144.14

	Aluminum stainless steel metallic	135°
Pack: 1 piece		
h/in.	Part No.	\$/pcs.
2 3/8	578-4502-060135	146.61
3 5/12	578-4502-080135	148.46

Inner Corner Joiner 90°, outer dimension 5 1/8" x 5 1/8"



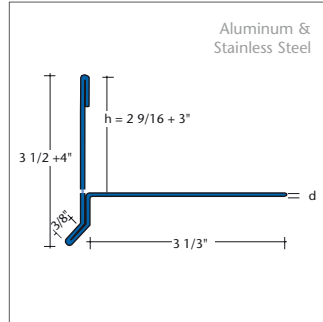
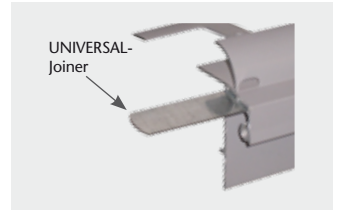
	Aluminum medium grey	90°
Pack: 1 piece		
h/in.	Part No.	\$/pcs.
2 3/8	650-4591-060090	142.34
3 5/12	650-4591-080090	144.14

	Aluminum old copper brown	90°
Pack: 1 piece		
h/in.	Part No.	\$/pcs.
2 3/8	650-4581-060090	142.34
3 5/12	650-4581-080090	144.14

	Aluminum stainless steel metallic	90°
Pack: 1 piece		
h/in.	Part No.	\$/pcs.
2 3/8	650-4502-060090	146.61
3 5/12	650-4502-080090	148.46

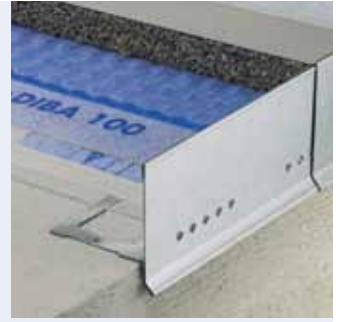
Blanke•UNIVERSAL-Joiner

Metal zinc plated		
Height 0.031"		Pack: 10 pieces
Length/Width	Part No.	\$/pcs.
2.51" x 0.62"	436-110	6.40



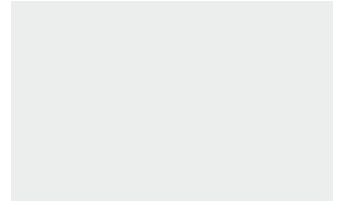
Blanke•Gravel Deck Edge

The Blanke•Gravel Deck Edge has specially designed drainage holes allowing moisture to escape while containing terrace and balcony deck substrates consisting of loose gravel layered on drainage mat system. Available in durable aluminum or stainless steel.



Aluminum 8.0 medium grey		
Length 8.0 feet		Pack: 1 piece
h/in.	Part No.	\$/pcs.
1 3/8	345-45919-035	81.85
2 9/16	345-45919-065	105.83
3	345-45919-075	109.02

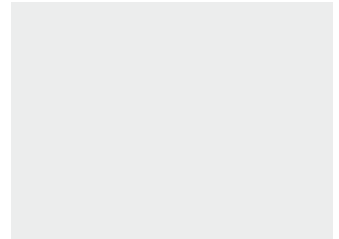
Stainless Steel 8.0 brushed		
Length 8.0 feet		Pack: 1 piece
h/in.	Part No.	\$/pcs.
1 3/8	345-280B-035	198.90
2 9/16	345-280B-065	214.71
3	345-280B-075	220.77



Joiner

Aluminum medium grey		
Length 3 1/5"		Pack: 1 piece
h/in.	Part No.	\$/pcs.
1 3/8	499-45919-035	16.03
2 9/16	499-45919-065	19.08
3	499-45919-075	21.34

Stainless Steel brushed		
Length 3 1/5"		Pack: 1 piece
h/in.	Part No.	\$/pcs.
1 3/8	499-280B-035	23.94
2 9/16	499-280B-065	25.60
3	499-280B-075	26.19



Corner Joiner 90°, outer dimension 3 1/5" x 3 1/5"

Aluminum 90° medium grey		
		Pack: 1 piece
h/in.	Part No.	\$/pcs.
1 3/8	501-45919-035	26.33
2 9/16	501-45919-065	30.60
3	501-45919-075	32.18

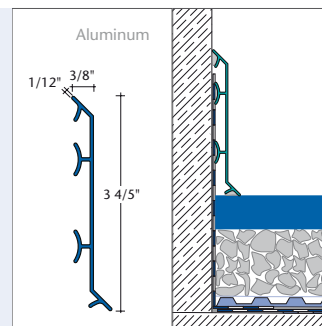
Stainless Steel 90° brushed		
		Pack: 1 piece
h/in.	Part No.	\$/pcs.
1 3/8	501-280B-035	42.26
2 9/16	501-280B-065	46.96
3	501-280B-075	49.22





Blanke•CoveCover

The Blanke•CoveCover is a cove profile that is designed to provide attractive interior wall protection. The innovative and durable design protects exterior baseboards.



Advantages:

- Durable attractive alternative when covebase tile is not available or too expensive.
- Hollow channels on the back ideal for "hiding" electric cords, cables, etc.
- Convenient corners and joiners are available for achieving a professional finish

Expert's tip:

- For rapid, secure attachment to walls etc., use the universal adhesive Blanke•AQUA SEAL (see page 87)

Aluminum		8.0
medium grey		
Length 8.0 feet		Pack: 1 piece
h/in.	Part No.	\$/pcs.
4	639-4591	185.71

Aluminum		8.0
old copper brown		
Length 8.0 feet		Pack: 1 piece
h/in.	Part No.	\$/pcs.
4	639-4581	185.71

Aluminum		8.0
stainless steel metallic		
Length 8.0 feet		Pack: 1 piece
h/in.	Part No.	\$/pcs.
4	639-4502	191.24

Joiner

Aluminum		
medium grey		
Length 1 3/5"		Pack: 5 pieces
h/in.	Part No.	\$/pcs.
4	640-4591	73.11

Aluminum		
old copper brown		
Length 1 3/5"		Pack: 5 pieces
h/in.	Part No.	\$/pcs.
4	640-4581	73.11

Aluminum		
stainless steel metallic		
Length 1 3/5"		Pack: 5 pieces
h/in.	Part No.	\$/pcs.
4	640-4502	75.33

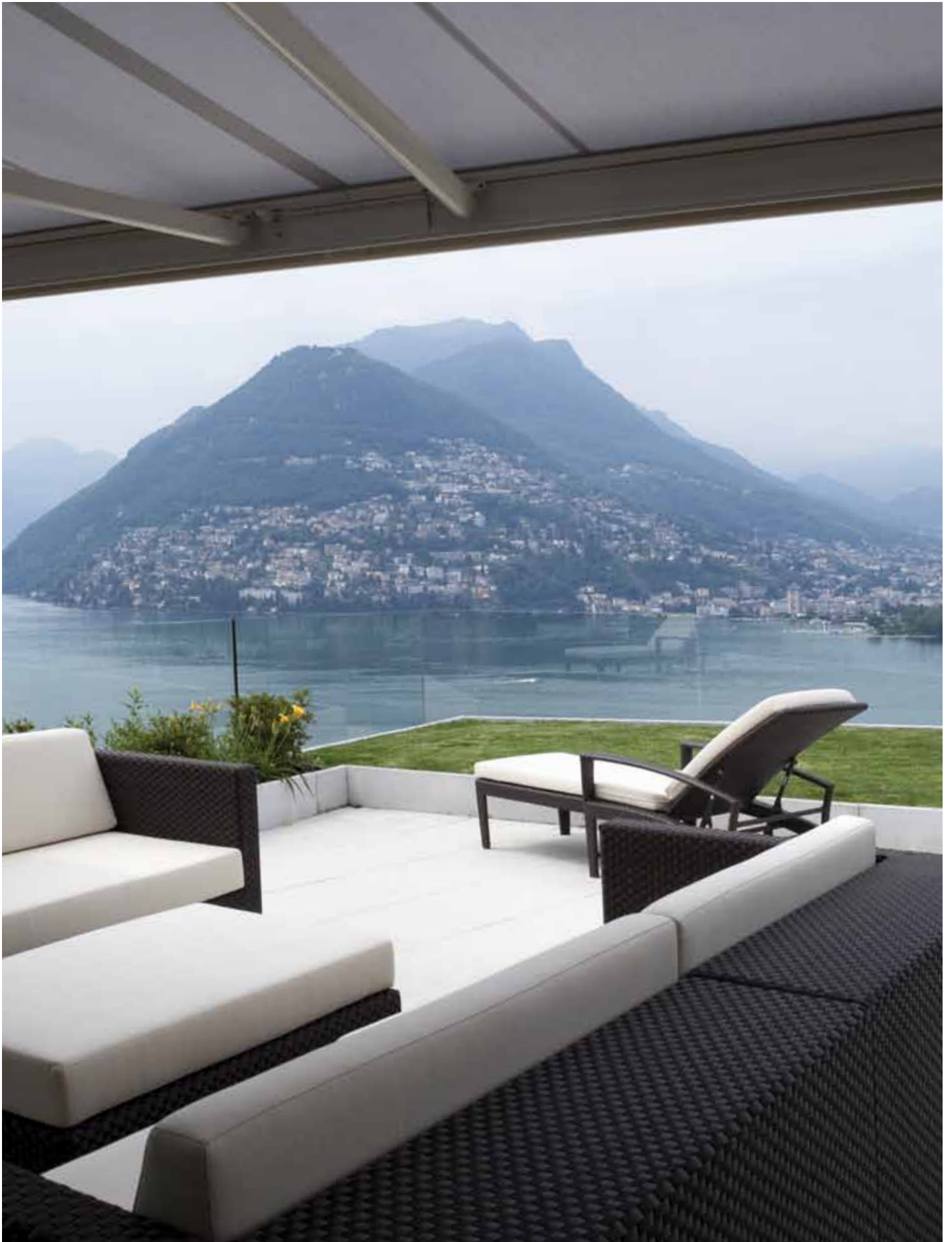
Corner Joiner 90°, Outer dimension 9 1/2" x 9 1/2"



Aluminum		90°
medium grey		
		Pack: 1 piece
h/in.	Part No.	\$/pcs.
4	641-4591-090	88.37

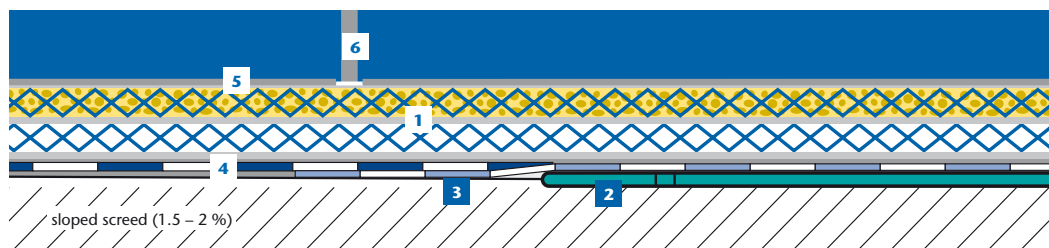
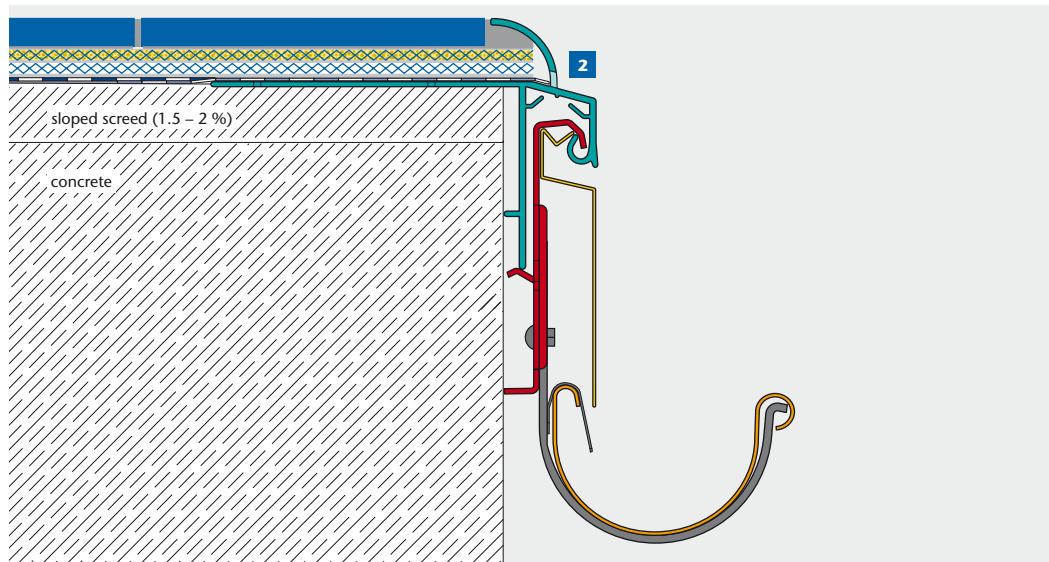
Aluminum		90°
old copper brown		
		Pack: 1 piece
h/in.	Part No.	\$/pcs.
4	641-4581-090	88.37

Aluminum		90°
stainless steel metallic		
		Pack: 1 piece
h/in.	Part No.	\$/pcs.
4	641-4502-090	90.97



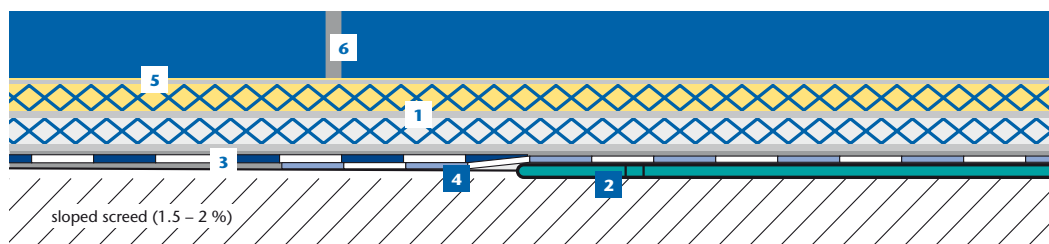
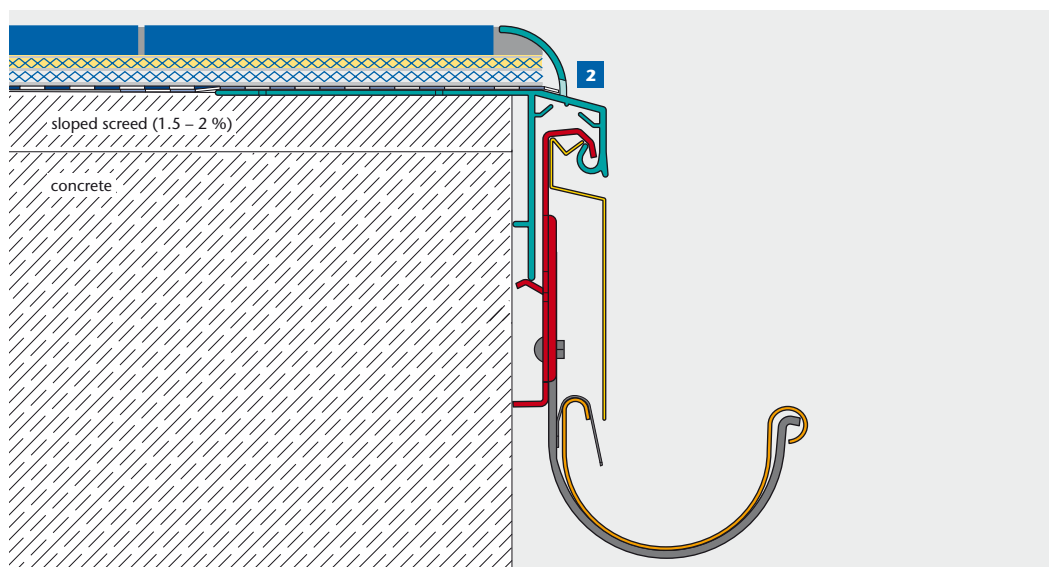
Blanke•BALCONY-SYSTEM 1 premium PLUS

- 1** Blanke•ULTRA-DRAIN
- 2** Blanke•ULTRA-DRAIN Profile
- 3** Blanke•AQUA SHIELD 15 or Blanke•AQUA SA 15
- 4** Blanke•AQUA SHIELD 100
- 5** C2 adhesive
- 6** CG 2 flexible joint

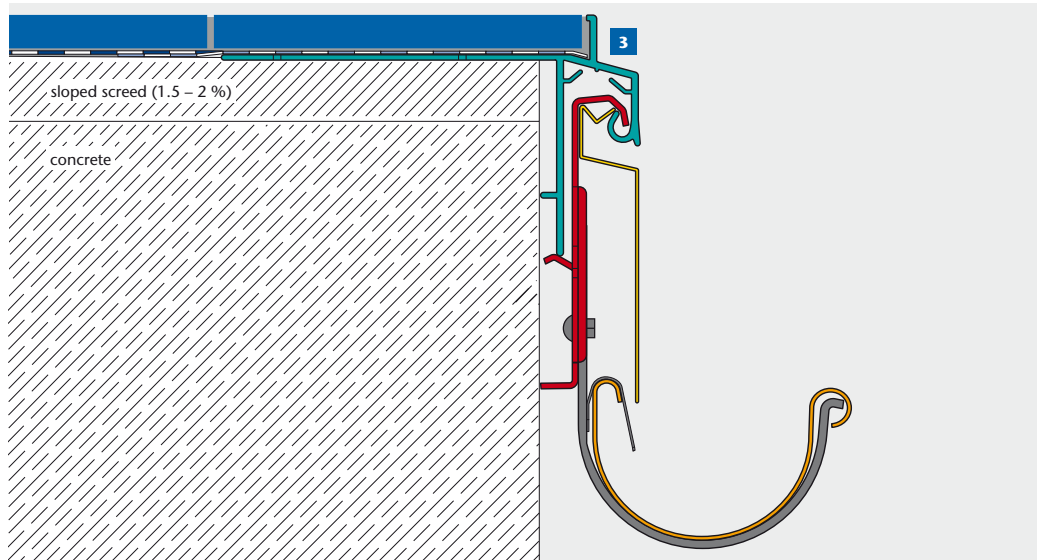


Blanke•BALCONY-SYSTEM 1 premium

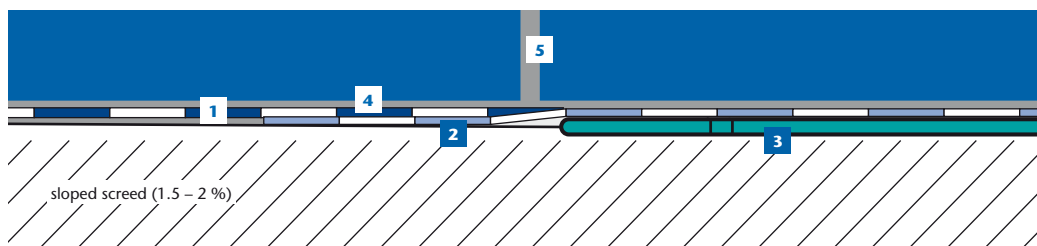
- 1** Blanke•ULTRA-DRAIN
- 2** Blanke•ULTRA-DRAIN Profile
- 3** Blanke•AQUA SHIELD 100
- 4** Blanke•AQUA SHIELD 15 or Blanke•AQUA SA 15
- 5** C2 adhesive
- 6** CG 2 flexible joint



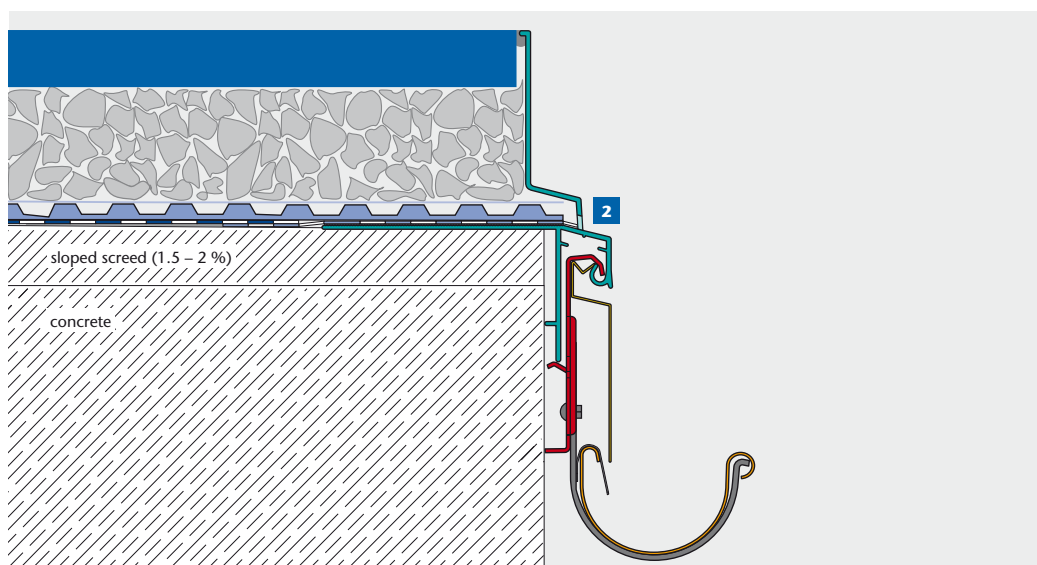
Blanke•BALCONY-SYSTEM 1 professional



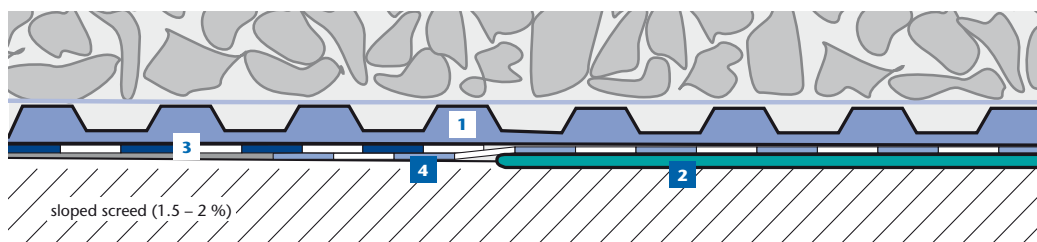
- 1** Blanke•AQUA SHIELD 100
- 2** Blanke•AQUA SHIELD 15 or Blanke•AQUA SA 15
- 3** Blanke•BALCONY Edge Protector Pro
- 4** C2 adhesive
- 5** CG 2 flexible joint



Blanke•BALCONY-SYSTEM 2 classic PRO



- 1** Blanke•DRAIN-Mat
- 2** Blanke•ULTRA-DRAIN Profile
- 3** Blanke•AQUA SHIELD 100
- 4** Blanke•AQUA SHIELD 15 or Blanke•AQUA SA 15

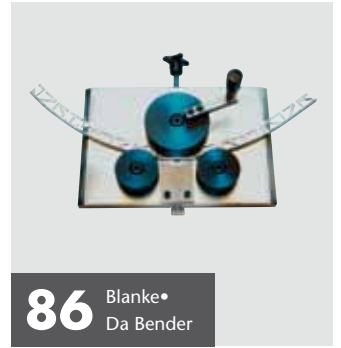




87 Blanke•
AQUA SEAL



Picture source: Steuler Design



86 Blanke•
Da Bender

Picture source: Steuler Design



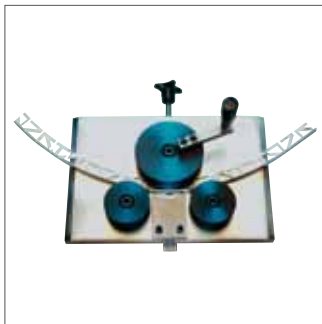
SUPPLEMENTAL PRODUCTS



Blanke•Bevel Cutter

Blanke•Bevel Cutter – Ideal for making accurate bevel cuts on plastic trims. Max. Width: 21/8” Max. Height: 1”

Blanke•Bevel Cutter		Pack: 1 piece
steel, zinc-plated		
Part No.		\$/pcs.
435-920		57.45



Blanke•Da Bender (for Bend-Ease products)

The innovative Blanke•Da Bender bending tool eliminates the problem of shaping smooth curves from straight metal profiles. This ruggedly constructed machine will easily bend at the jobsite Blanke•Edge Protectors and Blanke•Floor Accent Profiles with the Bend-Ease feature. Blanke•Da Bender saves time, reduces waste and produces smooth, professional curves for creative floor designs.

Blanke•Da Bender (for Bend-Ease products)		Pack: 1 piece
Part No.		\$/pcs.
591-900		881.83



NEW Blanke•ULTRAPOL

Polishing paste for cleaning metal surfaces. For use after installation or for other heavy dirt. Cleans and cares.

Expert's tip:

Ideal for stainless steel, aluminum chrome, brass, copper, silver and hard plastics.

Blanke•ULTRAPOL		Pack: 1 piece
Polishing paster		
Content	Part No.	\$/pcs.
50 ml	269-900	32.35

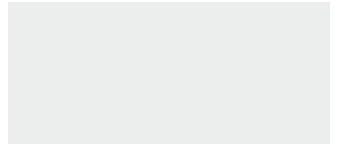
Blanke•AQUA SEAL EZA (V-notched nozzle)

Blanke•AQUA SEAL EZA is an applicator head that attaches directly to the Blanke•AQUA SEAL tube for ease of use when installing and seaming Blanke•AQUA SHIELD waterproofing fabric.



Blanke•AQUA SEAL EZA (V-notched nozzle)

		Pack: 1 piece
Part No.		\$/pcs.
589-900		17.09



Blanke•AQUA SEAL

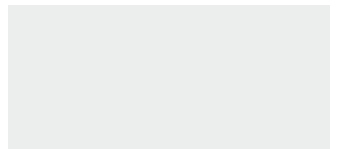
Blanke•AQUA SEAL is a multi-purpose water proofing polymer adhesive that can be used to waterproof and seal the overlapping seams of Blanke•AQUA SHIELD. It can also be used to install the Blanke•ULTRA DRAIN to substrates with a water proofing layer that does not accept thinset. The Blanke•AQUA SEAL is free from solvent, isocyanates and silicone.

Please contact Blanke to determine if Blanke•AQUA SEAL will adhere to a waterproofed substrate.



Blanke•AQUA SEAL

		Pack: 1 tube
1 tube = 10.5 ounce		
Part No.		\$/pcs.
535-900		39.69



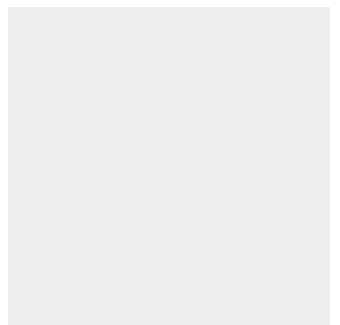
Blanke•Magnetic Tile Catch

Blanke•Magnetic Catches are ideal for creating easy-to-remove panels for accessing plumbing and electrical equipment for bathrooms and hot tubs. The panels are made from the same tile as the surrounding installation making them nearly invisible.



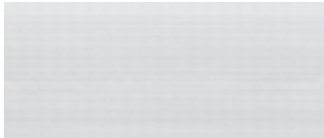
Blanke•Magnetic Tile Catch

		Pack: 4 pieces per blister
Part No.		\$/blister
4639-110-13		8.69



Aluminum, natural

Thanks to the wide range of material surfaces in the Blanke product systems, you will find the right design for every requirement and every taste. However, there are differences in the properties of the various surface options. For example, untreated aluminum has limited use indoors with low mechanical load. It oxidises and should be thoroughly cleaned after grouting. Not every grout or adhesive is compatible with aluminum, so the following basic principle applies: Before installation, you must check that the products used are compatible with aluminum.



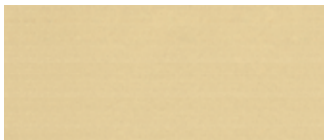
natural



cross brushed silver sheen

Aluminum, anodized

Anodized aluminum can be used inside at low mechanical stress. Not recommended for commercial floor applications because the silver/gold finish can be scratched or worn-off by heavy traffic. By deforming (bending) anodized aluminum there may be slight changes in color.



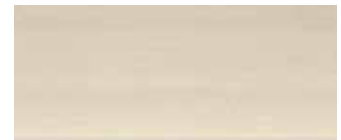
satin gold



shiny gold



bronze



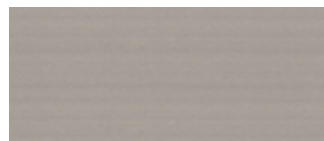
royal champagne



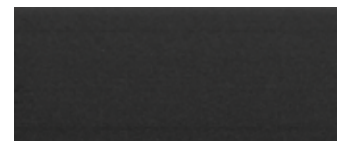
satin silver



shiny silver



titanium bronze



black matte



silver cross brushed



oil rubbed bronze



brushed nickel

Samples

Aluminum, PVC coated

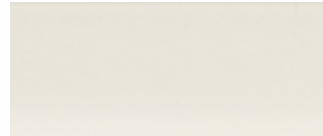
The aluminum profiles go through several stages of pre-treatment, then they are chromed, followed by powder coating and fired. This gives the profiles a high quality protective coating, which can also come in a range of different colours. The high regularity of shape, value and protective function of the acrylic coated surfaces thus offer a number of additional functions. However the profiles are not mechanically strong which must be considered during processing.



old copper brown



brown



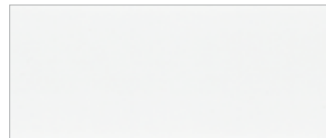
jasmin



manhattan grey



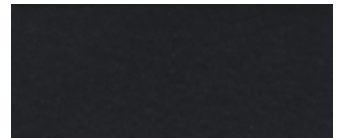
grey



white



stainless steel metallic



graphite black

Stainless Steel

Made by roll-forming 1 mm thick stainless steel. Highly recommended for commercial applications with strict sanitary requirements and where surfaces are exposed to strong chemicals and high mechanical stress (i.e. hospitals, food processing facilities, commercial kitchens and swimming pools).



stainless steel/(acid-resistant)



polished



satin



brushed



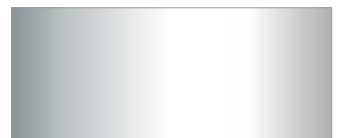
stainless steel look



stainless steel look, polished



stainless steel look, brushed



chrome-plated



cross brushed

Brass

Solid brass can be used inside and outside and is mechanically strong and stressable. Recommended for floors exposed to heavy loads (i.e. forklifts and heavy stocking carts). Exposure to moisture may cause a slight tarnishing which can be removed by polishing. Ideal for residential and commercial applications where traffic loads are light to moderate and extruded brass is more than the budget will allow. Also, provides a very attractive accent to complement polished brass fixtures.



polished



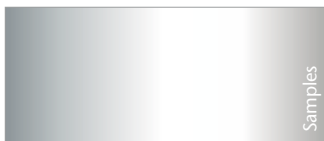
natural



chrome-plated

Chrome-plated

Generally speaking, chrome surfaces show good load capacities. After installing, immediately remove adhesive and grout residues. To maintain a high-quality appearance for years to come, protect chrome-plated surfaces from scratching or exposure to grit and rough contact. Do not use abrasive cleaners that contain hydrochloric, formic or acetic acids. Cleaners containing hydrofluoric acid or chlorine bleach should never be used. Citric acid or sulfamic acid that are compatible with the material can be used for cleaning. Generally speaking, after cleaning rinse the surface with abundant clean water.



brass, chrome-plated



stainless steel, chrome-plated

PVC

In the interior plastic can be used at low stress. The plastic is made of completely coloured UV resistant PVC in different color shades.



anthracite



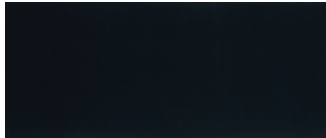
bahama beige



concrete grey



silver grey



graphite black



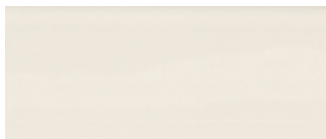
grey



beige



light grey



jasmin



manhattan grey



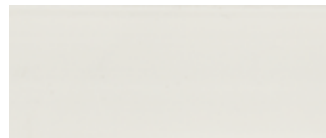
brown



medium grey



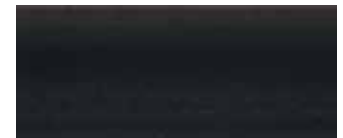
nut brown



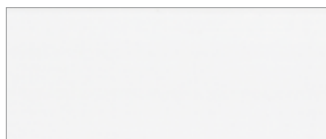
pergamon



sand grey



black





white





Part number identification system

Blanke's tile trims have specific part numbers made up of three components that notate important information such as the shape, finish, and size of each trim. To better understand this identification system, please refer to the following examples.

Example 1: Part No. 300-410-10025

300	410	100	25
			
Shape	Color/Finish	Height/mm	Length/m
Edge Protector	Aluminum/ Satin Silver	10 mm or $\frac{3}{8}$ "	2.5 m or 8 ft

Example 2: Part No. 347-501-12525

347	501	125	25
			
Shape	Color/Finish	Height/mm	Length/m
Quarter Circle	PVC/ White	12.5 mm or $\frac{1}{2}$ "	2.5 m or 8 ft

Height Conversion Chart

in. – mm	in. – mm	in. – mm
$\frac{1}{32}$ " – 0.8	$\frac{11}{32}$ " – 9.0	$\frac{3}{4}$ " – 18.5
$\frac{1}{17}$ " – 1.5	$\frac{3}{8}$ " – 10.0	$\frac{13}{16}$ " – 20.0
$\frac{1}{16}$ " – 2.0	$\frac{7}{16}$ " – 11.0	$\frac{7}{8}$ " – 22.0
$\frac{1}{8}$ " – 3.0	$\frac{17}{32}$ " – 13.0	$\frac{31}{32}$ " – 23.0
$\frac{3}{16}$ " – 4.5	$\frac{1}{2}$ " – 12.5	1" – 25.0
$\frac{1}{4}$ " – 6.0	$\frac{17}{32}$ " – 14.0	$1\frac{3}{16}$ " – 30.0
$\frac{9}{32}$ " – 7.0	$\frac{19}{32}$ " – 15.0	$1\frac{19}{32}$ " – 40.0
$\frac{5}{16}$ " – 8.0		$2\frac{3}{8}$ " – 60.0

Common Color/Finish Codes *

300 – Brass, natural	400 – Aluminum, natural	446 – Aluminum, titanium bronze	501 – PVC, white
340 – Brass, chrome plated	410 – Aluminum, satin silver anodized	450 – Aluminum, white PVC coated	506 – PVC, graphite black
280 – Stainless Steel	416 – Aluminum, anodized black matte	456 – Aluminum, black PVC coated	508 – PVC, brown
280B – Stainless Steel, brushed	420 – Aluminum, satin gold anodized	470 – Aluminum, royal champagne	509 – PVC, grey
2840 – Stainless Steel, chrome plated	420B – Aluminum, brushed nickel	480 – Aluminum, shiny gold anodized	5011 – PVC, jasmin
285 – Stainless Steel, acid resistant	430 – Aluminum, shiny silver anodized		5071 – PVC, bahama beige
286 – Stainless Steel, polished			5091 – PVC, manhattan grey
289 – Stainless Steel, satin			5092 – PVC, silver grey

* Additional colors/finishes available – please refer to Blanke catalog for details.

Blanke Shipping Guidelines

Orders within the continental U.S. ship via UPS Ground at the following rates:

Orders up to – \$250: \$26

Orders \$251 – \$499: \$36

Orders \$500 – \$999: \$46

* Expedited and Next-Day shipping available.

* For orders outside the continental U.S. please call us at **800-787-5055**.

* Orders over \$1000 ship free.

Conditions of sale

The prices reflected in the product catalog do not include installation, delivery, or any federal, state, or city tax. The prices set in the catalog are subject to change without prior notice.



FUNCTION. DESIGN. QUALITY.



Blanke Corporation

3631 Clearview Parkway
Atlanta, Georgia 30340

Phone 770 - 936 - 9211

800 - 787 - 5055

Fax 770 - 936 - 9511

E-Mail customerservice@blankecorp.com

Internet www.blankecorp.com

